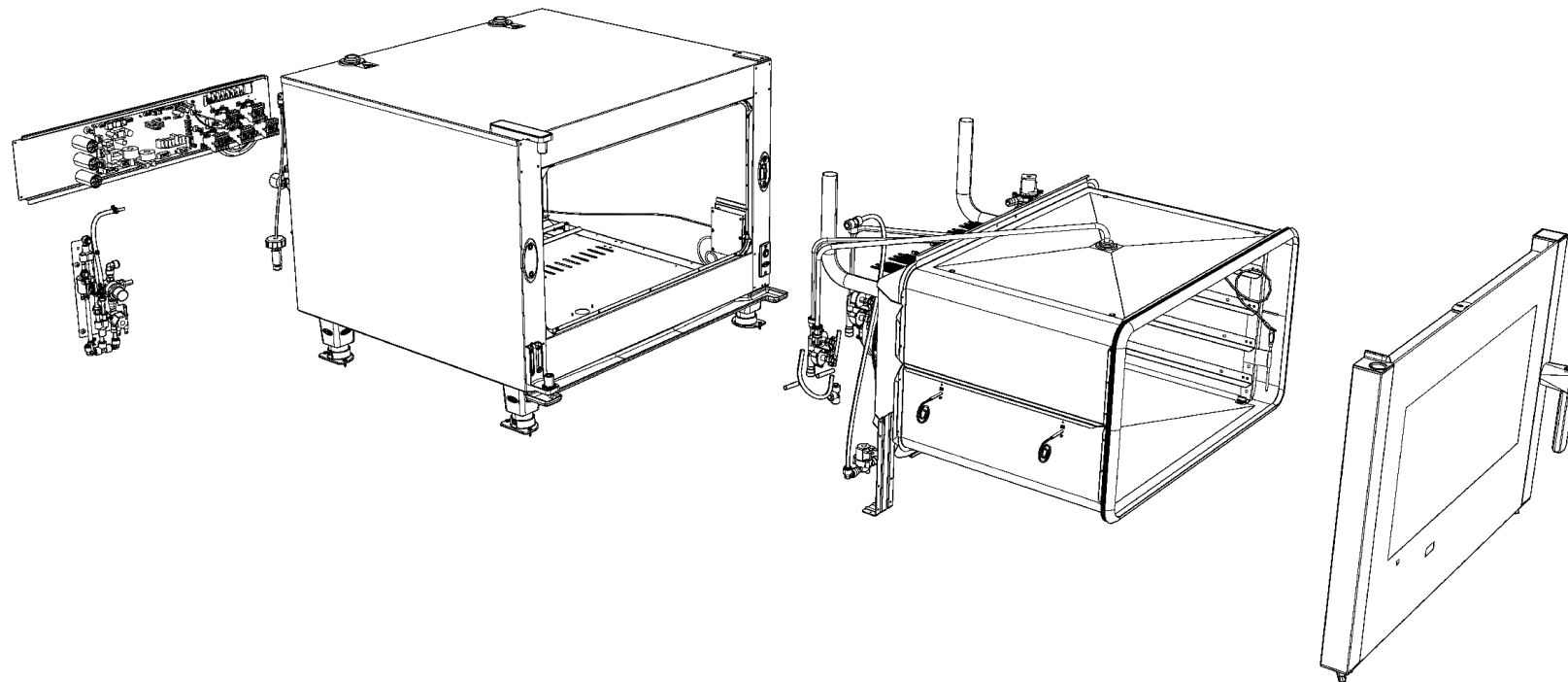
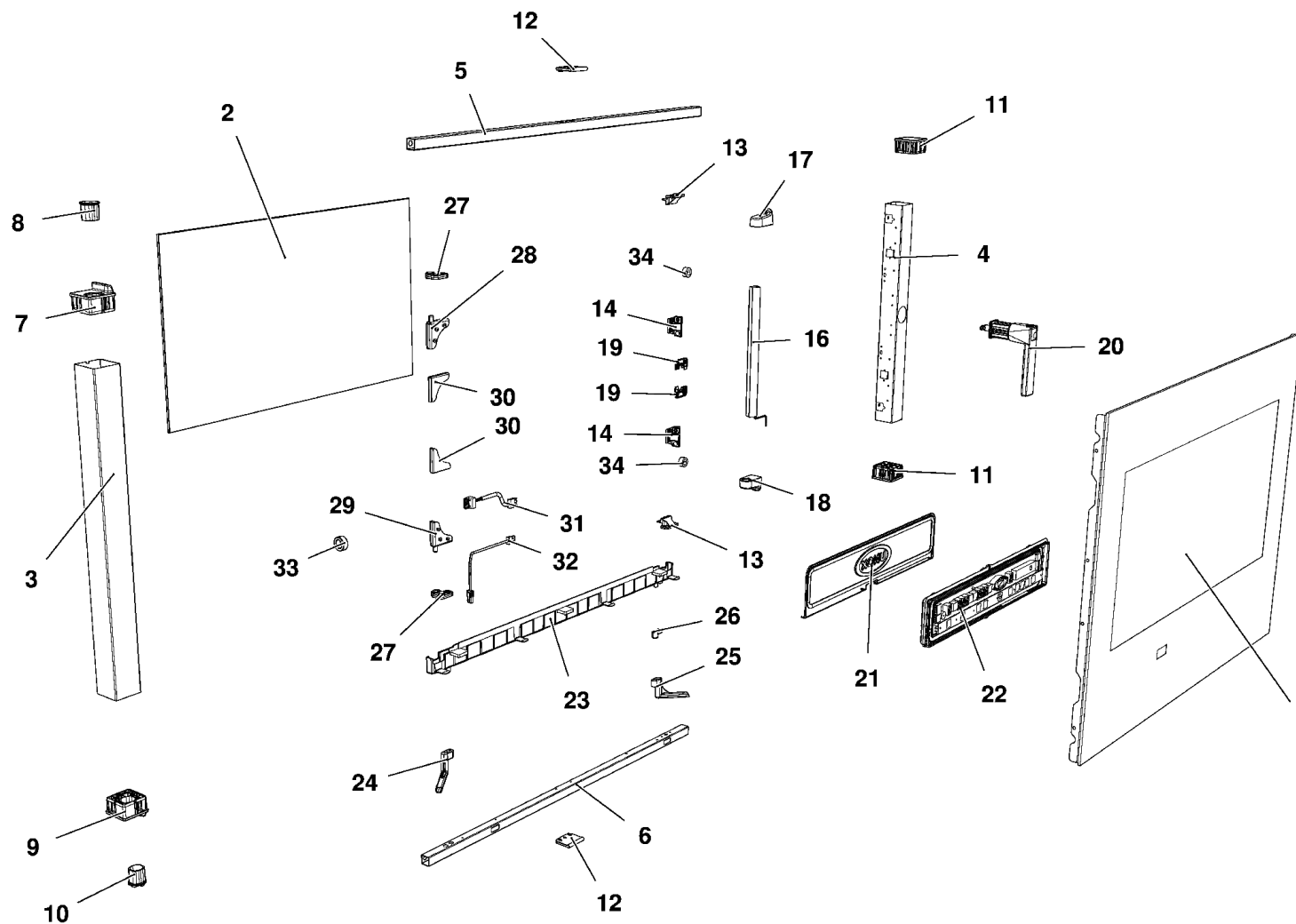


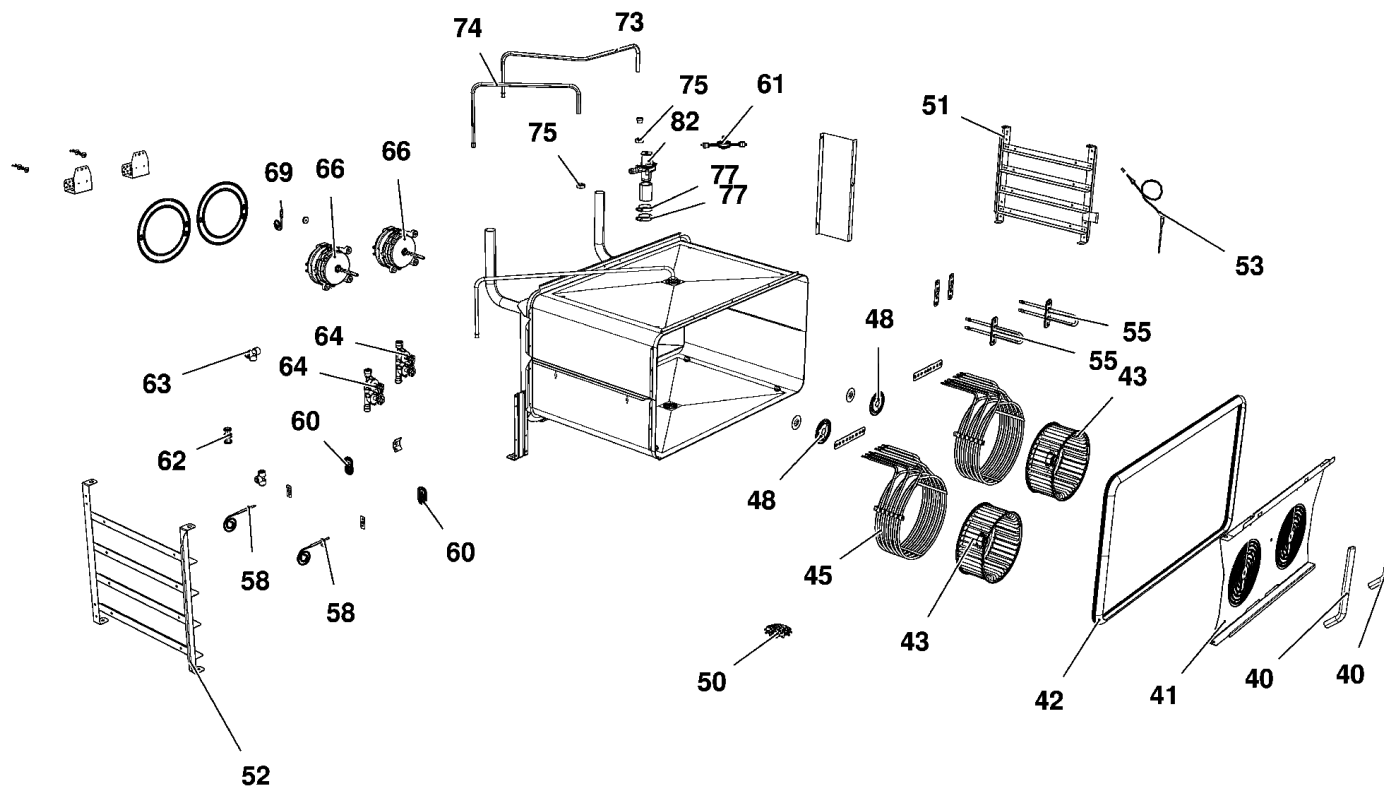
MOD:XBC405E



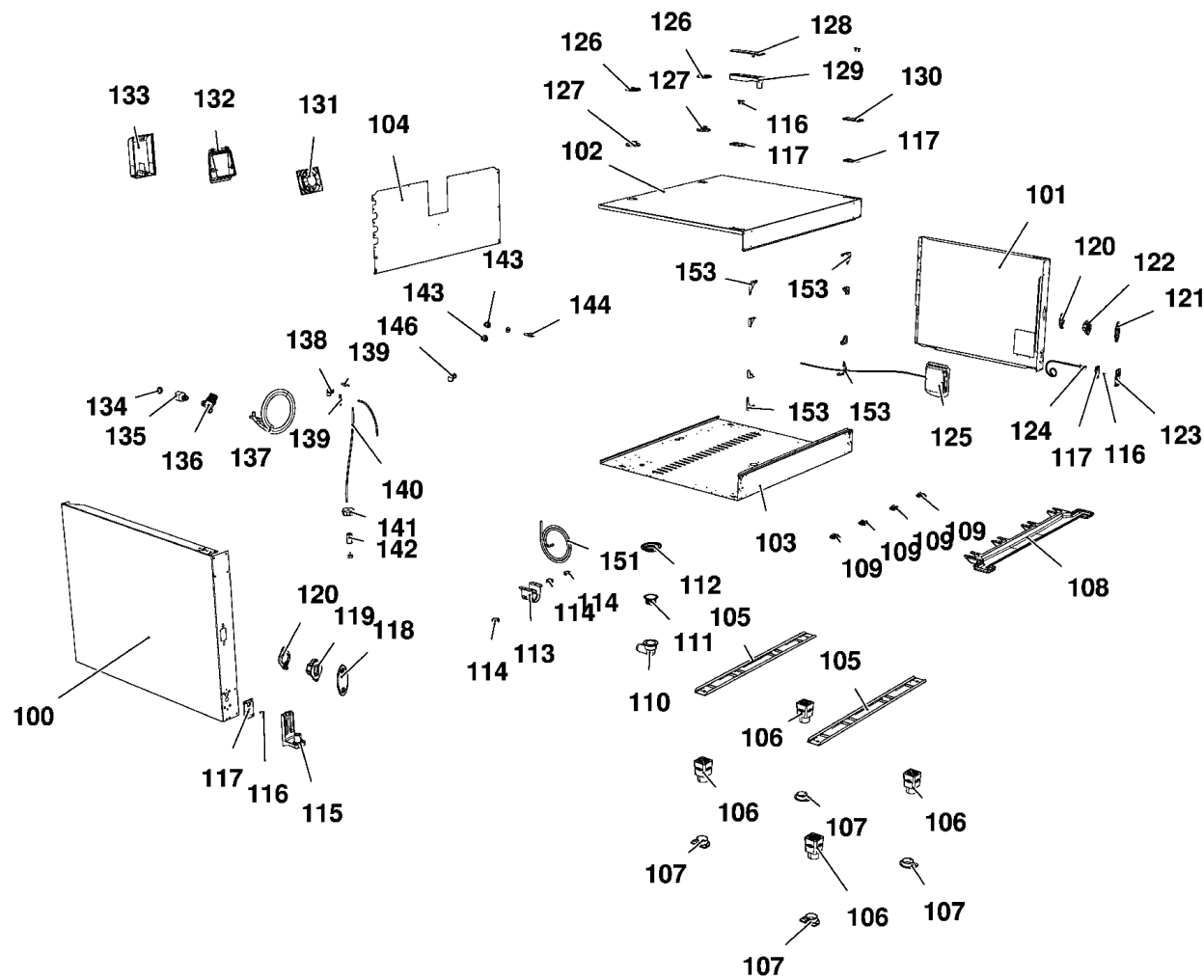
MOD:XBC405E



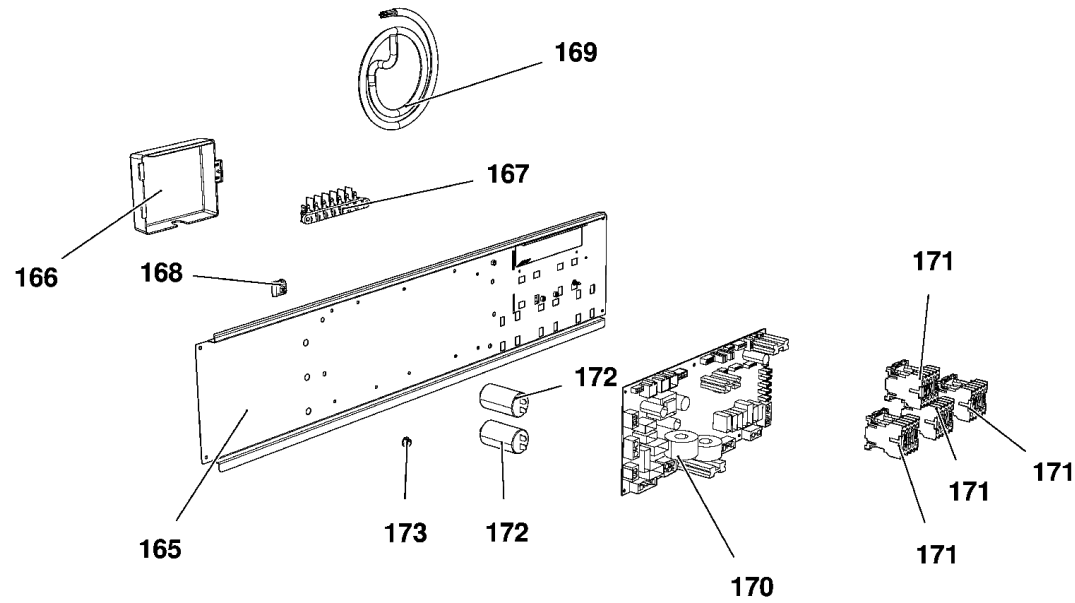
MOD:XBC405E



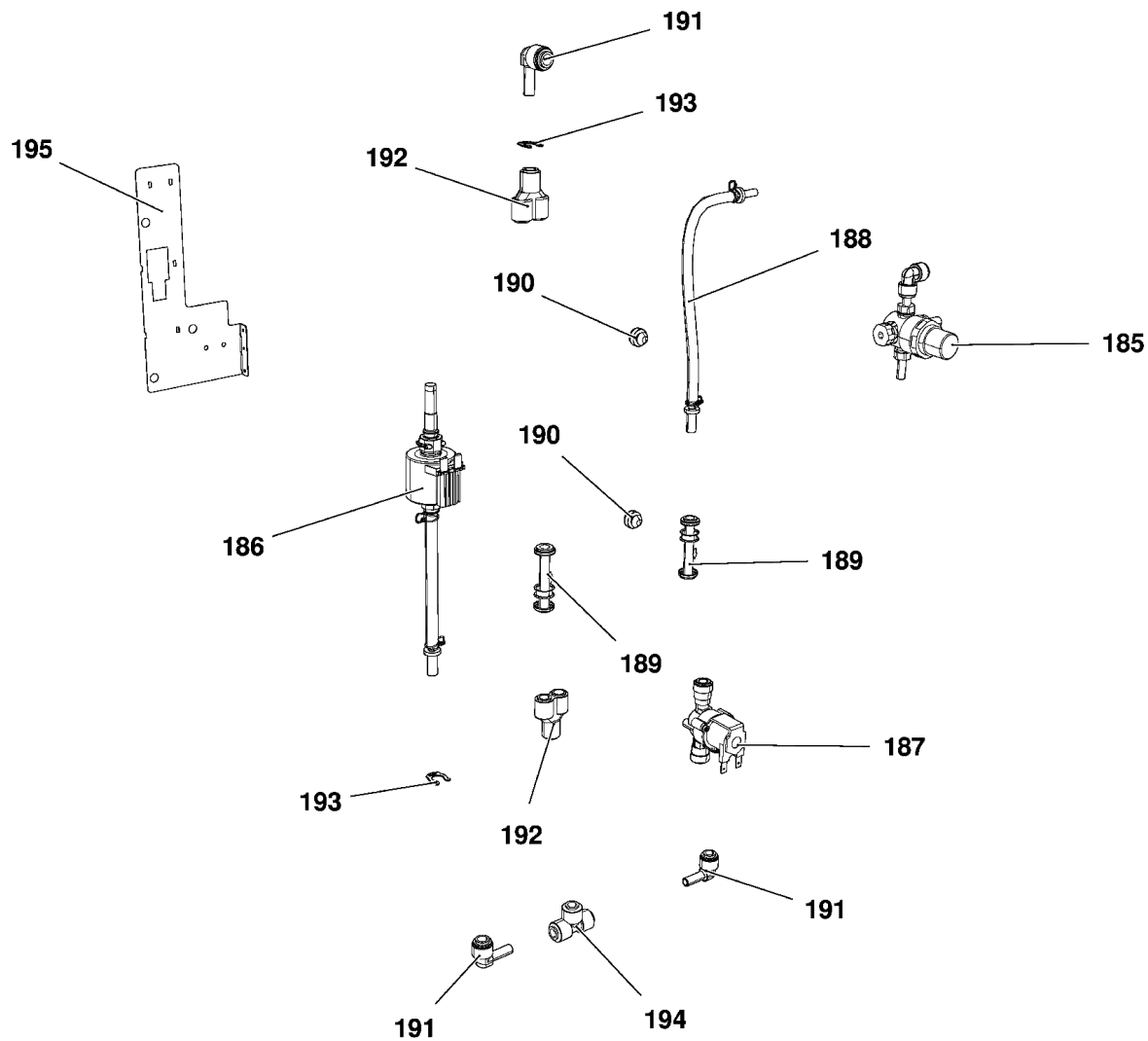
MOD:XBC405E



MOD:XBC405E



MOD:XBC405E



MOD:XBC405E



IT

Descrizione codici

1	VT1131B	VETRO ESTERNO SER. 757X555X4 CHIA
2	VT1130A	VETRO INTERNO 743X432X6 BETFL
3	TB1186A	COLONNINA SX XVC305 XBC405 50x50x
4	TB2314A	COLONNINA DX XVC305E-XBC405E 50x5
5	TB1361A	LISTELLO SUP. BT S.5E 20x20x1
6	TB1362A	LISTELLO INF. BT S.5E 20x20x1
7	VM1170B	TAPPO FULCRO SUP. PORTA XVC204/30
8	VM1511A	BOCCOLA LISCIA PERNO PORTA CHEFFT
9	VM1171B	TAPPO FULCRO INF. PORTA XVC204/30
10	VM1510A	BOCCOLA SCANALATA PERNO PORTA XBC
11	VM1175A	TAPPO ESTETICO COLONNINA PORTA
12	VM2031A	PREMIVETRO ESTERNO
13	VM2043A	SUPPORTO VETRO SUP - INF
14	VM2042A	ASSIEME CHIUSURA VETRO INTERNO LA
14	VM2042A	ASSIEME CHIUSURA VETRO INTERNO LA
16	LP1001B	BARRA ILLUMINAZIONE LED L300
17	VM1621A	SUPPORTO SUP BARRA LED
18	VM1620A	SUPPORTO INF BARRA LED
19	VM1490A	COPRI VITI MANIGLIA CHEFTOP BAKER
20	VM1180A	IMPUGNATURA MANIGLIA XVC204/304/5
21	OH4310A	PROFILO INOX PARACALORE CRUSCOTTO
22	PE1740A	ASSIEME SCHEDE CONTROLLO PE1705
23	VM1617A	PROFILO SALVAGOCIA 400/600/800
24	VM2014A	TUBO PER PROFILO RACCOGLI GOCCE S
25	VM2015A	TUBO PER PROFILO RACCOGLI GOCCE D
26	VM2044A	TAPPO PER PROFILO RACCOGLI GOCCE
27	VM1680A	CERNIERA APERTURA VETRO INTERNO
28	CR1085A	CERNIERA VETRO INT INOX SUP
29	CR1086A	CERNIERA VETRO INT INOX INF
30	GN1181A	GUARNIZIONE CERN VETRO INT CR1085
31	CE1275A	CAVO COLLEGAMENTO POTENZA CONTROL

32	CE1665A	CAVO ALIMENTAZIONE BARRA LED 1 MT
33	CE1285A	FERRITE EMI ROUND MOD. 2643801502
34	VE1030A	CALAMITA D=22,9mm PER MICROPORTA
40	TB2262A	TUBO INT. UMIDITA' XBC405E Ø16x1
41	OG1477A	CARTER ARIA XBC405E
42	GN1387C	GN1006A-GUARNIZIONE PORTA XBC405E
43	VN1030A	VENTOLA D196 H81 39 PALE DADO M8
45	RS1225A	RES. CIRCOLARE 4700W 230V D230 6
48	OH4305A	DISCO TENUTA ALBERO MOTORE INOX S
50	OH2551A	TAPPO PER TUBO DI SCARICO LIQUIDI
51	GRL1297A	GRIGLIA LAT. DX 4X600X400
52	GRL1296A	GRIGLIA LAT. SX 4X600X400
53	TR1040A	SONDA AL CUORE STAMPATA L=1320
55	RS1215A	RES. PIANA 147W 105V D230 1 SPIRA
58	TR1106A	SONDA TEMPERATURA PT100 L2000
60	VM1465A	COPERCHIO SONDA TEMPERATURA CHEFT
61	VM1955B	CORPO GIRANTE LAVAGGIO
62	EL1055A	RIDUZIONE INTERMEDIA D10-D8
63	EL1020A	RACCORDO INTERMEDIO "T" TUBO Ø8
64	EL1361A	ELETTROVALVOLA TRI-STADIO JG D8-D
66	VN1130A	MOTORE FORNO 330W 230V 50/60HZ
69	PE1710A	SENSORE NUMERO GIRI MOTORE
72	VM1610A	CLIP TWIST LOCK DIAM. 7,6-10,2 MM
73	TB2250A	TUBO EST. UMIDITA' + RC1165A0
74	TB1515A	TUBO EST. UMIDITA' + RC1165A0
75	RC1170A	DADO M14 H=8 CH=22 INOX
77	RC1378A	FASCETTA STRINGI TUBO ZINCATA
79	OH6190A	LAMIERA PROTEZIONE SONDA CAMERA C
80	EL1252A	ELETTROVALVOLA H2O 1 VIA RID. VER
82	VE1135A	ATTUATORE VENTURI 220V 50/60 Hz S
100	OD2148A	FIANCO SX XBC405E

101	OD2149A	FIANCO DX XBC405E
102	OD1875A	COPERCHIO INOX XBC405/605/805
103	OE1312A	FONDO EST. BT S.5-E
104	OF1433A	SCHIENA XBC405E
105	OH6395A	LONGHERONE BT S.5-E
106	PD1066B	PIEDE H100 PLASTICA BICOMPONENTE
107	PD1063A	STAFFA BLOCCAGGIO PIEDE CT BT
108	VM1992A	CASSETTO RACCOGLI GOCCE 860
109	VM1220A	CLIP FISSAGGIO CASSETTO RACCOGLI
110	VL1026A	CURVA PER TUBO DI SCARICO
111	GN1400A	GUARNIZIONE SIFONE
112	VM2039A	ANELLO FISSAGGIO CURVA DI SCARICO
113	VM2035A	SUPPORTO PER TUBO DI SCARICO
114	VM1505A	PASSAPARETE CON DIAFRAMMA
115	VM1160B	STAFFA INFERIORE PORTA CT BT
116	VM1240A	TAPPO NYLON SUPPORTO CONTROSTAFFA
117	OH2560A	CONTROSTAFFA ZINCATA PORTA C.T.
118	VM1461A	COPERCHIO SX SCROCCO PORTA XBC/XV
119	VM1191A	SCROCCO MANIGLIA SX CT BT
120	VM1192A	COPERCHIO SCROCCO MANIGLIA CT BT
121	VM1460A	COPERCHIO DX SCROCCO PORTA XBC/XV
122	VM1190A	SCROCCO MANIGLIA DX CT BT
123	VM1201A	PIASTRINA SUPPORTO MICROPORTA MAG
124	VE1020A	MICROINTERRUTTORE PORTA MAGNETICO
125	PE1967A	SCHEDE RIARMO RJ45
126	OH3790A	LAMIERA TENUTA CAMINO
127	GN1275A	GUARNIZIONE CAMINO SILICONE NERO
128	VM1166A	COPERCHIO STAFFA SUPERIORE PORTA
129	VM1165B	STAFFA SUPERIORE PORTA CT BT
130	VM1195A	PIASTRINA COPRIFORI XVC204/304/50
131	VN1120B	VENTOLA RAFFREDDAMENTO 12V

132	VM1555A	SUPPORTO VENTOLA RAFFREDDAMENTO C
133	VM1556A	PROTEZIONE VENTOLA RAFFREDDAMENTO
134	GN1200A	GUARNIZIONE D=24 RACCORDO 3/4 GOM
135	RC1210A	RACCORDO 3/4 VALVOLA DI NON RITOR
136	VL1034A	FILTRO ACQUA Ø10 MESH100
137	TB2237A	TUBO Ø10 ALLACCIAMENTO RETE
138	RC1373A	RACCORDO GOMITO Ø6F-Ø6F
139	VL1043A	PORTAGOMMA D4-CODOLO D6
140	TB2242A	TUBO Ø6 LAVAGGIO 2M
141	VL1041A	TAPPO DETERGENTE
142	VL1010A	AFFONDANTE CON FILTRO
143	EL1185B	RACCORDO GOMITO D8F-D8F
144	EL1195B	RACCORDO GOMITO D8F-D8M
146	EL1185A	RACCORDO A GOMITO J.GUEST Ø8 - Ø8
151	TB2235A	ROCCETTO DETERGENTE TUBO Ø8
153	OH1450A	ANGOLO FACCIATA MUFFOLA INOX XB-X
165	OP1006A	PORTACOMPONENTI BT EL S. SE
166	VM1310A	SCATOLA COPRI MORSETTIERA XB/XV/X
167	MR1004A	MORSETT. 7FTW GV V0 VL CU 1+2+3/4
168	VM1750A	MORSETTIERA A PETTINE
169	CE1355A	CAVO 5X2,5MMQ H07RN-F L=1,5MT
170	PE1725D	SCHEDE POTENZA FORNI CT-BT S5.E
171	VE1115A	MINICONTATTORE QUADRIPOLE 20 A
172	VE1110A	CONDENSATORE 6,3 µF 450VAC 50/60
173	VM1840A	TAPPO NYLON NERO DIAM. 9,5 MM
185	VL1014A	RIDUTTORE DI PRESSIONE CON DISTRI
186	VL1038A	POMPA VIBRAZIONE
187	EL1411A	ELETTROVALVOLA H2O CON CHECK VALV
188	TB2403A	TUBO PVC Ø9X6 L 250 MM
189	EL1180A	RACCORDO NON RITORNO Ø8 Ø8 FEMMIN
190	VM1630A	TAPPO PREMI VETRO INTERNO

191	EL1195B	RACCORDO GOMITO D8F-D8M
192	EL1115B	RACCORDO Y D8
193	EL1345A	CLIP BLOCCA PINZETTA RACCORDI Ø8
194	EL1020A	RACCORDO INTERMEDIO "T" TUBO Ø8
195	OH6413A	SUPPORTO IMPIANTO IDRICO

MOD:XBC405E



EN

Codes descriptions

1	VT1131B	757X555X4 EXTERNAL GLASS
2	VT1130A	INTERNAL GLASS 743x432x6 XBC404-X
3	TB1186A	XVC305 XBC405 ST. ST. LEFT DOOR C
4	TB2314A	XVC305E-XBC405E 50x50x1.2 RIGHT C
5	TB1361A	S. E BAKERTOP DOOR UPPER LISTEL
6	TB1362A	S. E BAKERTOP DOOR LOWER LISTEL
7	VM1170B	UPPER DOOR FULCRUM CAP
8	VM1511A	XBC/XVC SLEEK DOOR PIN BUSHING
9	VM1171B	DOOR LOWER FULCRUM CAP
10	VM1510A	XBC/XVC GROOVED DOOR PIN BUSHING
11	VM1175A	DOOR COLUMN BLANKING CAP
12	VM2031A	EXTERNAL GLASS PUSHING PLATE
13	VM2043A	UPPER - LOWER GLASS SUPPORT
14	VM2042A	INTERNAL GLASS LATERAL LOCKING SY
14	VM2042A	INTERNAL GLASS LATERAL LOCKING SY
16	LP1001B	LED LIGHTING BAR L300
17	VM1621A	LED BAR UPPER SUPPORT
18	VM1620A	LED BAR LOWER SUPPORT
19	VM1490A	CHEFTOP/BAKERTOP HANDLE SCREWS CO
20	VM1180A	HANDLE HAFT XVC204/304/504/704
21	OH4310A	ST. STEEL HEAT-GUARD FOR CONTROL
22	PE1740A	CONTROL BOARD PE1705 + BOARD COVE
23	VM1617A	400/600/800 DRIP PROFILE
24	VM2014A	LEFT DRIP PROFILE PIPE
25	VM2015A	RIGHT DRIPPING PIPE
26	VM2044A	DRIP PROFILE CAP
27	VM1680A	INTERNAL GLASS HINGE
28	CR1085A	INTERNAL GLASS UPPER HINGE
29	CR1086A	INTERNAL GLASS LOWER HINGE
30	GN1181A	CR1085-1086 INTERNAL GLASS HINGE
31	CE1275A	CONNECTION CABLE POWER - CONTROL

32	CE1665A	LED POWER SUPPLY 1 M CABLE
33	CE1285A	EMI ROUND FERRITE MOD.2643801502
34	VE1030A	MAGNET FOR DOOR MICROSWITCH D=22,
40	TB2262A	XBC405E INTERNAL WATER PIPE Ø16x1
41	OG1477A	XBC405E FAN GUARD
42	GN1387C	XBC405E 5 DOOR GASKET - GN1006A
43	VN1030A	MOTOR FAN D196 H81 39 BLADE NUT M
45	RS1225A	6 T. HEATING ELEMENT 1,7+1,7+1,3
48	OH4305A	ST. STEEL MOTOR SHAFT SEALING DIS
50	OH2551A	XBC/XVC ST.STEEL DRAIN COVER
51	GRL1297A	4 600x400 RIGHT LATERAL SUPPORT
52	GRL1296A	4 600x400 LEFT LATERAL SUPPORT
53	TR1040A	MOLDED CORE PROBE L=1320
55	RS1215A	147W 105V D230 1 TURN FLAT ELEMEN
58	TR1106A	TEMPERATURE PROBE PT100 L=2000
60	VM1465A	CHEFTOP TEMPERATURE PROBE COVER
61	VM1955B	WASHIG SYSTEM ROTOR
62	EL1055A	INTERMEDIATE REDUCTION FROM D=10
63	EL1020A	INTERMEDIATE "T" CONNECTION Ø8
64	EL1361A	J.G. THREE-STAGE SOLENOID VALVE D
66	VN1130A	330W 230V 50/60HZ MOTOR
69	PE1710A	MOTOR REVOLUTIONS SENSOR
72	VM1610A	CLIP TWIST LOCK DIAM. 7,6-10,2 MM
73	TB2250A	EXTERNAL WATER PIPE + FITTING RC1
74	TB1515A	EXTERNAL WATER PIPE + RC1165A0
75	RC1170A	STAINLESS STEEL NUT M14 H=8 CH=22
77	RC1378A	HOSE CLAMP
79	OH6190A	CT-BT TEMPERATURE PROBE PROTECTIO
80	EL1252A	ONE INLET WATER VALVE J.G.CONN.
82	VE1135A	VENTURI ACTUATOR 220 V 50/60 Hz S
100	OD2148A	XBC405E EXTERNAL LEFT SIDE PANEL

101	OD2149A	XBC405E EXTERNAL RIGHT SIDE PANEL
102	OD1875A	XBC405/605/805 STAINLESS STEEL CO
103	OE1312A	5 - E S. BAKERTOP EXTERNAL BOTTOM
104	OF1433A	XBC405E EXTERNAL BACK PANEL
105	OH6395A	S. 5-E BAKERTOP FEET BRACKET
106	PD1066B	BI-COMPONENT FOOT H100
107	PD1063A	CT BT FOOT STOP BRACKET
108	VM1992A	DRIP TRAY
109	VM1220A	CLIP TO FIX DRIP TRAY C.T.
110	VL1026A	BEND FOR DRAIN PIPE
111	GN1400A	U-TRAP SEAL
112	VM2039A	DRAIN BEND FIXING RING
113	VM2035A	DRAIN PIPE SUPPORT
114	VM1505A	WALL PASSING WITH DIAPHRAGM
115	VM1160B	CT BT DOOR LOWER BRACKET
116	VM1240A	NYLON SUPPORT CAP
117	OH2560A	XBC/XVC ZINC PLAT. DOOR COUNTERBR
118	VM1461A	XBC/XVC LEFT DOOR LATCH CAP
119	VM1191A	CT BT LEFT DOOR SPRING LATCH
120	VM1192A	CT BT RIGHT DOOR SPRING LATCH COV
121	VM1460A	XBC/XVC RIGHT DOOR LATCH CAP
122	VM1190A	CT BT RIGHT DOOR SPRING LATCH
123	VM1201A	MAGNETIC SUPPORT PLATE FOR DOOR M
124	VE1020A	MAGNETIC DOOR MICROSWITCH
125	PE1967A	R45 CONNECTION + RESET POINT
126	OH3790A	CHIMNEY HOLDING PLATE
127	GN1275A	XBC/XVC BLACK CHIMNEY SEALING
128	VM1166A	CAP FOR DOOR UPPER STIRRUP XVC204
129	VM1165B	CT BT DOOR UPPER BRACHET
130	VM1195A	HOLES BLANKING PLATE XVC204/304/5
131	VN1120B	12V COOLING DOWN FAN

132	VM1555A	CT BT COOLING DOWN FAN SUPPORT
133	VM1556A	XBC-XVC COOLING FAN GUARD
134	GN1200A	3/4 CONNECTION SEAL D=24 RUBBER+N
135	RC1210A	3/4 FEM. UNION +FILTER + NONRETUR
136	VL1034A	Ø10 MESH100 WATER FILTER
137	TB2237A	Ø10 WATER MAIN CONNECTION PIPE
138	RC1373A	Ø6F-Ø6F ELBOW FITTING
139	VL1043A	D4 PIPE HOLDER - D6 J.G. TERMINAL
140	TB2242A	WASHING SYSTEM PIPE Ø6 2M
141	VL1041A	DETERGENT CAP
142	VL1010A	HOLD DOWN WEIGHT WITH FILTER
143	EL1185B	D8F-D8F ELBOW FITTING
144	EL1195B	D8F-D8M ELBOW CONNECTION
146	EL1185A	ELBOW CONNECTION J. GUEST Ø8 - Ø8
151	TB2235A	Ø8 DETERGENT PIPE COIL
153	OH1450A	XB-XV-XG ST. STEEL MUFFLE FRONT C
165	OP1006A	E SERIES BAKERTOP COMPONENTS HOLD
166	VM1310A	COVER FOR TERMINAL BOX XB/XV/XVC/
167	MR1004A	TERMINAL 7FTW GV V0 VL CU 1+2+3/4
168	VM1750A	TERMINAL BOARD
169	CE1355A	CABLE 5 X 2,5 MMQ H07RNF L = 1,5
170	PE1725D	E SERIES CHEFTOP-BAKERTOP POWER C
171	VE1115A	MINICONTACTOR WITH 4 POLES 20 A 2
172	VE1110A	CONDENSER 6,3 µF 450VAC 50/60Hz
173	VM1840A	BLACK NYLON CAP DIAM. 9,5mm
185	VL1014A	PRESSURE REDUCER WITH DISTRIBUTOR
186	VL1038A	VIBRATION PUMP
187	EL1411A	SOLENOID VALVE WITH CHECK VALVE
188	TB2403A	Ø9X6 L 250 MM PVC PIPE
189	EL1180A	Ø8 Ø8 FEMALE NON-RETURN CONNECTIO
190	VM1630A	INTERNAL GLASS PUSHING CAP

191	EL1195B	D8F-D8M ELBOW CONNECTION
192	EL1115B	Y D8 CONNECTION
193	EL1345A	CLIP TO FIX Ø8 mm CONNECTION JOI
194	EL1020A	INTERMEDIATE "T" CONNECTION Ø8
195	OH6413A	WATER SYSTEM SUPPORT