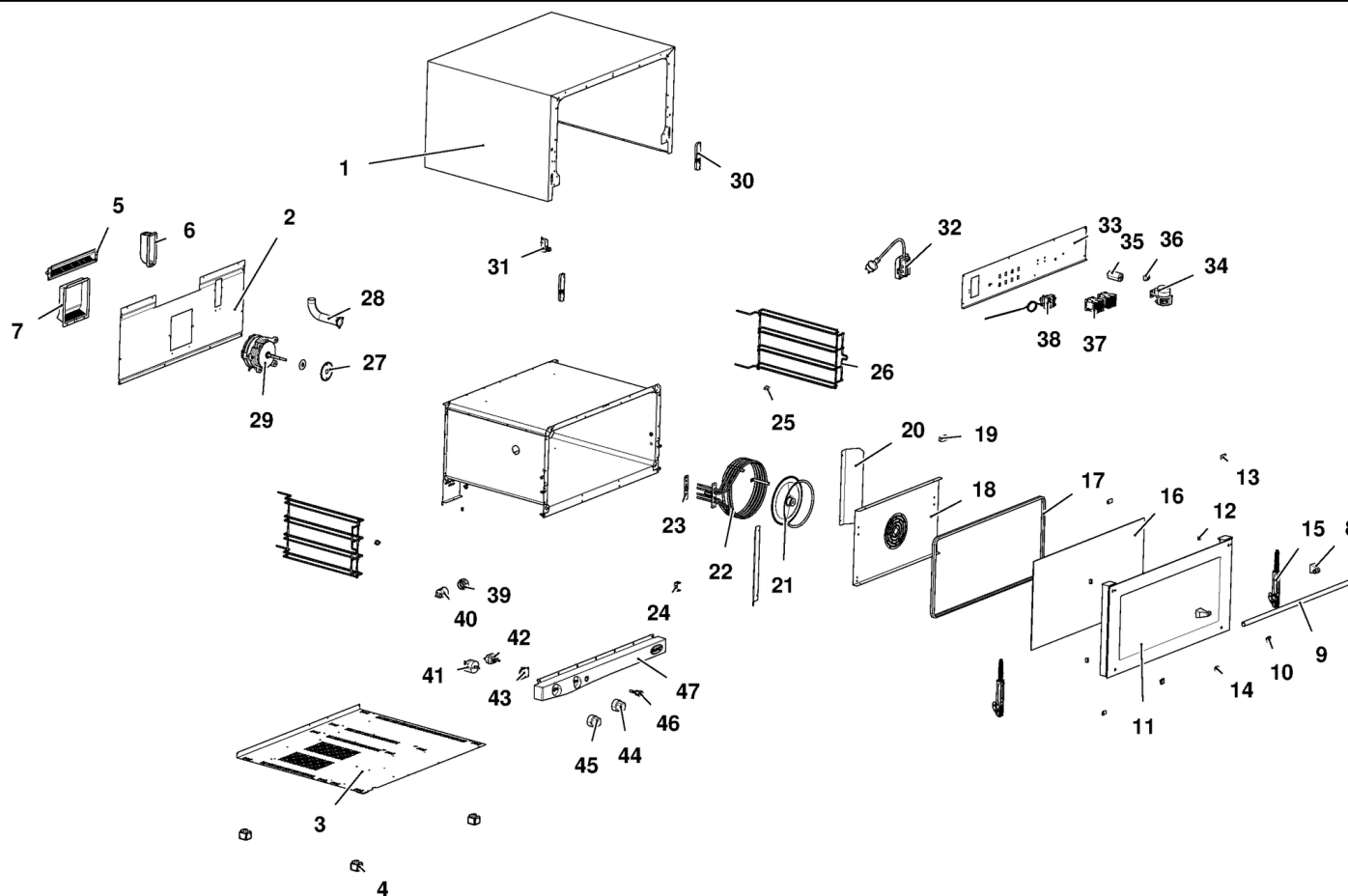


MOD:XF043



MOD:XF043



IT

Descrizione codici

1	OD2231B	MANTELLO XF043 CAMERA OTTAGONALE
2	OF1429A	SCHIENA IP XF043-ES
3	OE1301A	FONDO ESTERNO XF043
4	PD1001A	PIEDINO 35X35 H26 PLASTICA+GOMMA GRIGIO
5	VM1950A	GRONDAIA PLASTICA
6	VM1951A	CUFFIA COPRICAMINO IP
7	VM1952A	COPRIMOTORE IP
8	MG1015B	TERMINALE MANIGLIA L.MISS/L.MICRO/CHEFTO
9	OH3510B	TUBO MANIGLIA L= 708 Ø18x1
10	VM1380B	TAPPO FISSAGGIO VETRO-PORTA L. MICRO
11	VT1191A	VETRO ESTERNO SER. 790X382X4 CHIARO
12	GN1240A	GUARNIZIONE COLONNINA-VETRO SILICONE
13	OH3110A	PIASTRINA SUPERIORE FERMA VETRO
14	OH3111A	PIASTRINA INFERIORE FERMA VETRO LMC
15	CR1075B	CERNIERA PORTA FORNO RIBALTA L.MICRO
16	VT1190B	VETRO INTERNO 712X372X4 BETFL
17	GN1260A	GUARNIZIONE L. MICRO DOMENICA
18	OG1530A	CARTER ARIA XF043 OTTAGONALE
19	OH3330B	ALETTA CONVOGLIATRICE LMCR
20	OC1590A	ANGOLARE CAMERA OTTAGONALE XF043
21	VN1025A	VENTOLA D=196 H=61 38 PALE DADO M8
22	RS1150A	RESISTENZA CIRC. D=230 5 SPIRE
23	GN1327A	GUARNIZIONE RES. 100X22
24	OH4820A	STAFFA SOSTEGNO BULBO
25	VM1815A	NOTTOLINO M6 CROMATO FISS. GRIGLIE
26	GRL1025A	GRIGLIA LAT. DX/SX 4 600x400 LM ROSSELLA
27	OH3020A	DISCO TENUTA ALBERO MOTORE
28	TB2549A	TUBO CAMINO XF043-ES Ø30x1
29	VN1130A	MOTORE FORNO 330W 230V 50/60HZ
30	CR1070A	ATTACCO CERNIERA PORTA FORNO RIBALTA
31	VE1295A	MICROINTERRUTTORE PORTA MK 16A 230V UL

32	CE1130A	CAVO 5X1,5MMQ H07RN-F L=1,5M + MORS.K1/6
33	OP1001A	SUPPORTO COMPONENTI LMC DOMENICA
34	VE1555A	INVERTITTORE DI MARCIA
35	VE1110A	CONDENSATORE 6,3 µF 450VAC 50/60Hz
36	VM1750A	MORSETTIERA A PETTINE
37	VE1115A	MINICONTATTORE QUADRIPOLORE 20 A 230 V
38	TR1140A	TERM.SIC.BIP. 350°C RIARMO MANUALE
39	VT1200A	VETRO COPRILAMPADA BOROSILICATO L.MICRO
40	VE1480A	GRUPPO LAMPADA 230V-25W
41	TM1005A	TIMER MIZ 60 MIN 250V 16A
42	TR1100A	TERMOSTATO REG. 269°C 55.19052.80
43	TM1000C	SUONERIA ELETTRONICA 15 SEC 230V
44	MN1100A	MANOPOLA SERIGR. TIMER 0-60 MIN L. MICRO
45	MN1101B	MANOPOLA SERIGR. TERMOSTATO 80-260°C
46	LP1012A	SPIA BLU TERMOMETRO SUPP. NICHELATO 230V
47	VM1435C	CRUSCOTTO COMANDI MANUAL L. MICRO 800

MOD:XF043



EN

Codes descriptions

1	OD2231B	LINE MICRO XF043 OUTER CASING
2	OF1429A	XF043-ES BACK PANEL
3	OE1301A	EXTERNAL BOTTOM PANEL XF043
4	PD1001A	FOOT 35X35 H26 GREY PLASTIC+RUBBER
5	VM1950A	PLASTIC DRIP FLAP
6	VM1951A	IP CHIMNEY COVER
7	VM1952A	IP MOTOR COVER
8	MG1015B	L.MISS/L.MICRO/CHEFTOP HANDLE TERMINALS
9	OH3510B	HANDLE TUBE EX. D=18 TH=7 L=708
10	VM1380B	L.MICRO GLASS-DOOR FIXING CAP
11	VT1191A	SER. EXTERNAL GLASS 790X382X4
12	GN1240A	COLUMN-GLASS BLACK SILICON SEAL
13	OH3110A	GLASS HOLDING ST.STEEL UPPER PLATE
14	OH3111A	Befestigungsplatte unten
15	CR1075B	L.MICRO OVEN DOOR HINGE
16	VT1190B	INTERNAL GLASS 712x372x4
17	GN1260A	DOOR GASKET L. MICRO DOMENICA
18	OG1530A	XF043 FAN GUARD
19	OH3330B	AISI 430 CONVEYOR FLAP L. MICRO DOMENICA
20	OC1590A	CONVEYOR PLATE XF043
21	VN1025A	FAN D=196 h=61 38 BLADES NUT M8
22	RS1150A	CIRC.HEAT. ELEMENT D=230 5 TURNS
23	GN1327A	HEATING ELEMENT GASKET 100X22X0.8
24	OH4820A	BULB HOLDING BRACKET
25	VM1815A	M6 LATERAL SUPPORTS FIXING BOLT
26	GRL1025A	RIGHT/LEFT LAT.GRID CHROMIUM-PLATED
27	OH3020A	MOTOR SHAFT SEALING DISC
28	TB2549A	LINE MICRO EXHAUST CHIMNEY
29	VN1130A	330W 230V 50/60HZ MOTOR
30	CR1070A	HINGE LATCH L. C.
31	VE1295A	DOOR MICROSWITCH MK 16A 230V UL

32	CE1130A	CABLE 5x1,5MMQ H07RN-F L=1,5M
33	OP1001A	XF043 COMPONENTS HOLDER
34	VE1555A	REVERS.SWITCH MOTOR P19.SI.02.H6.17
35	VE1110A	CONDENSER 6,3 µF 450VAC 50/60Hz
36	VM1750A	TERMINAL BOARD
37	VE1115A	MINICONTRACTOR WITH 4 POLES 20 A 230 V
38	TR1140A	350°C SAFETY THERMOSTAT MANUAL RESET
39	VT1200A	L.MICRO LAMP COVER BOROSILICATE GLASS
40	VE1480A	230V-25W LAMP SET
41	TM1005A	TIMER M12 60 MIN 250V 16A
42	TR1100A	269°C ADJUSTABLE THERMOSTAT 55.19052.80
43	TM1000C	ELECTRICAL BUZZER 15 SECS 230 V
44	MN1100A	L.MICRO 0-60 MINUTES TIMER KNOB
45	MN1101B	80-260°C THERMOSTAT KNOB
46	LP1012A	TERMOMETER BLU LIGHT INDICATOR
47	VM1435C	L. MICRO 800 MANUAL CONTROL PANEL