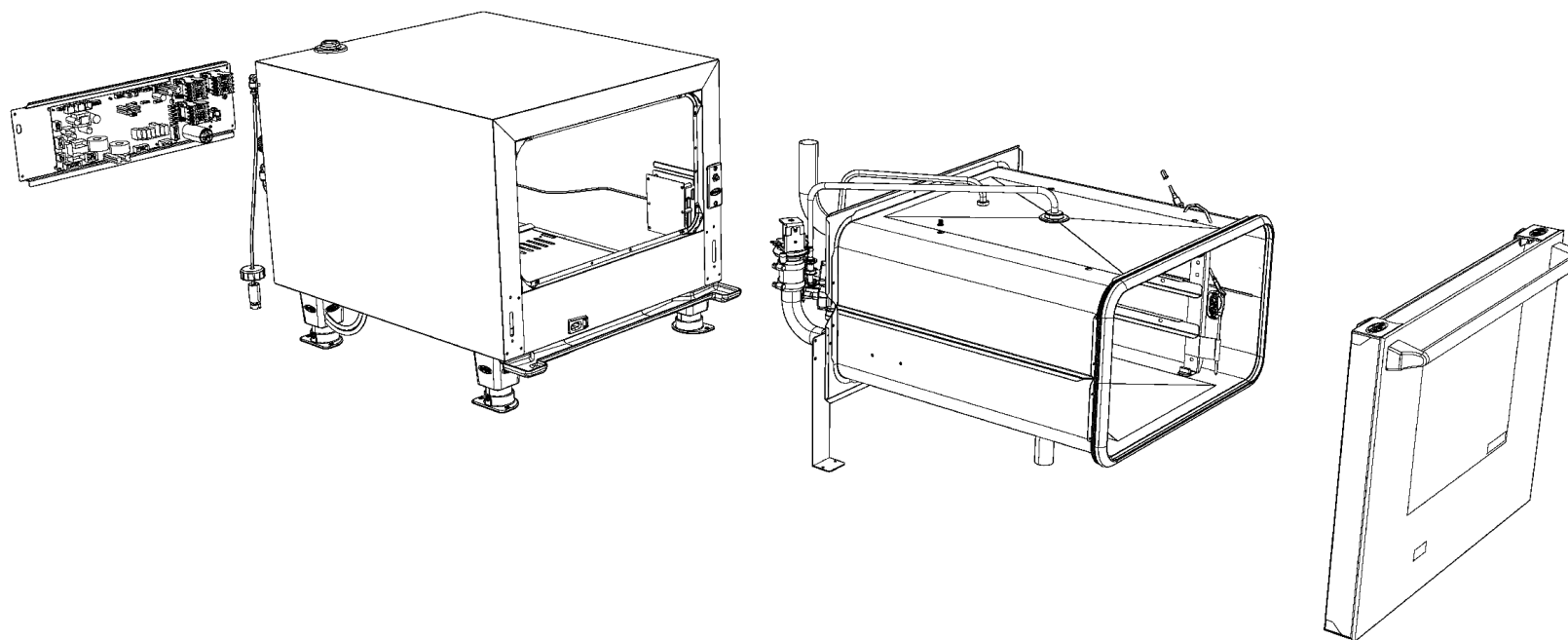
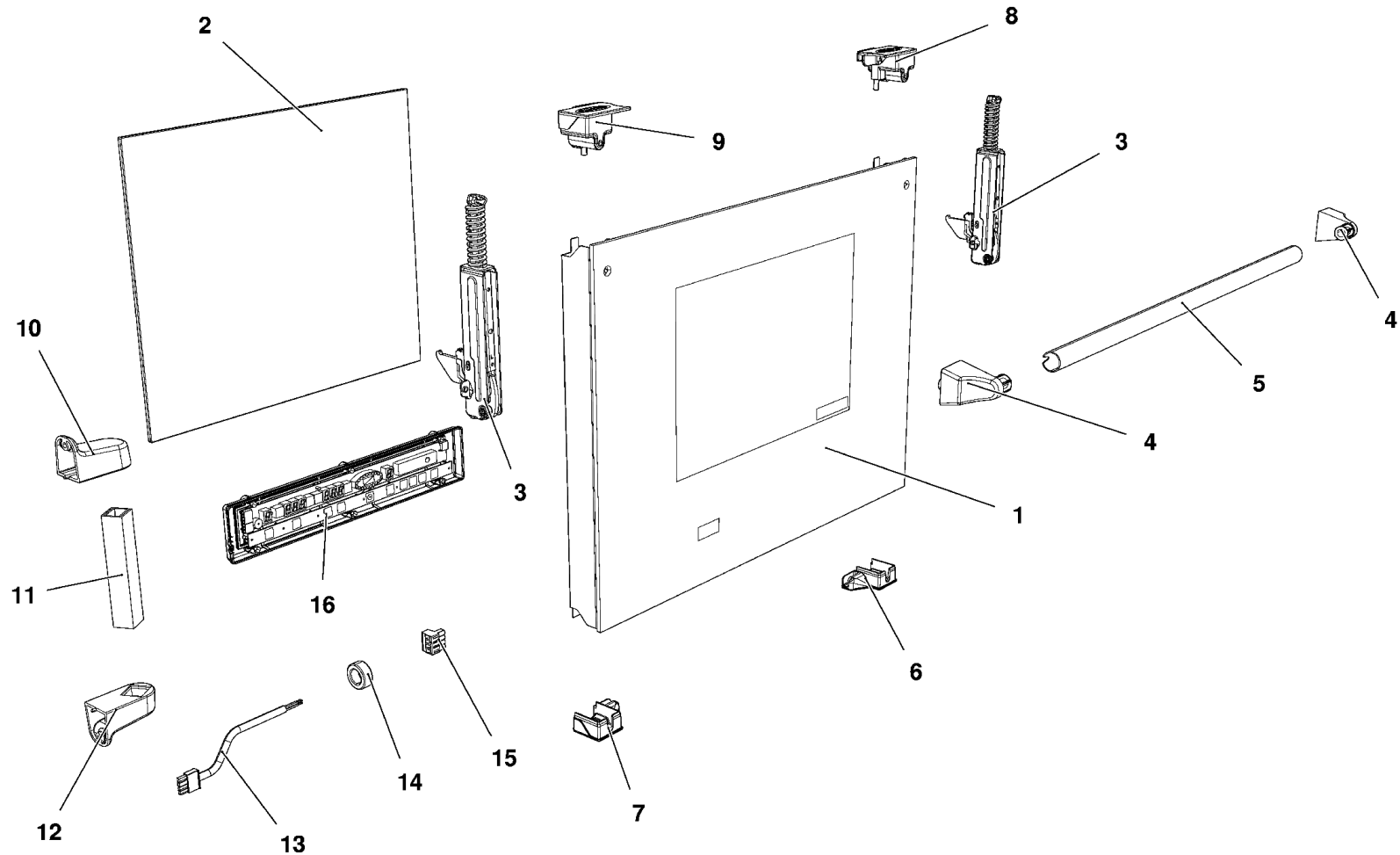


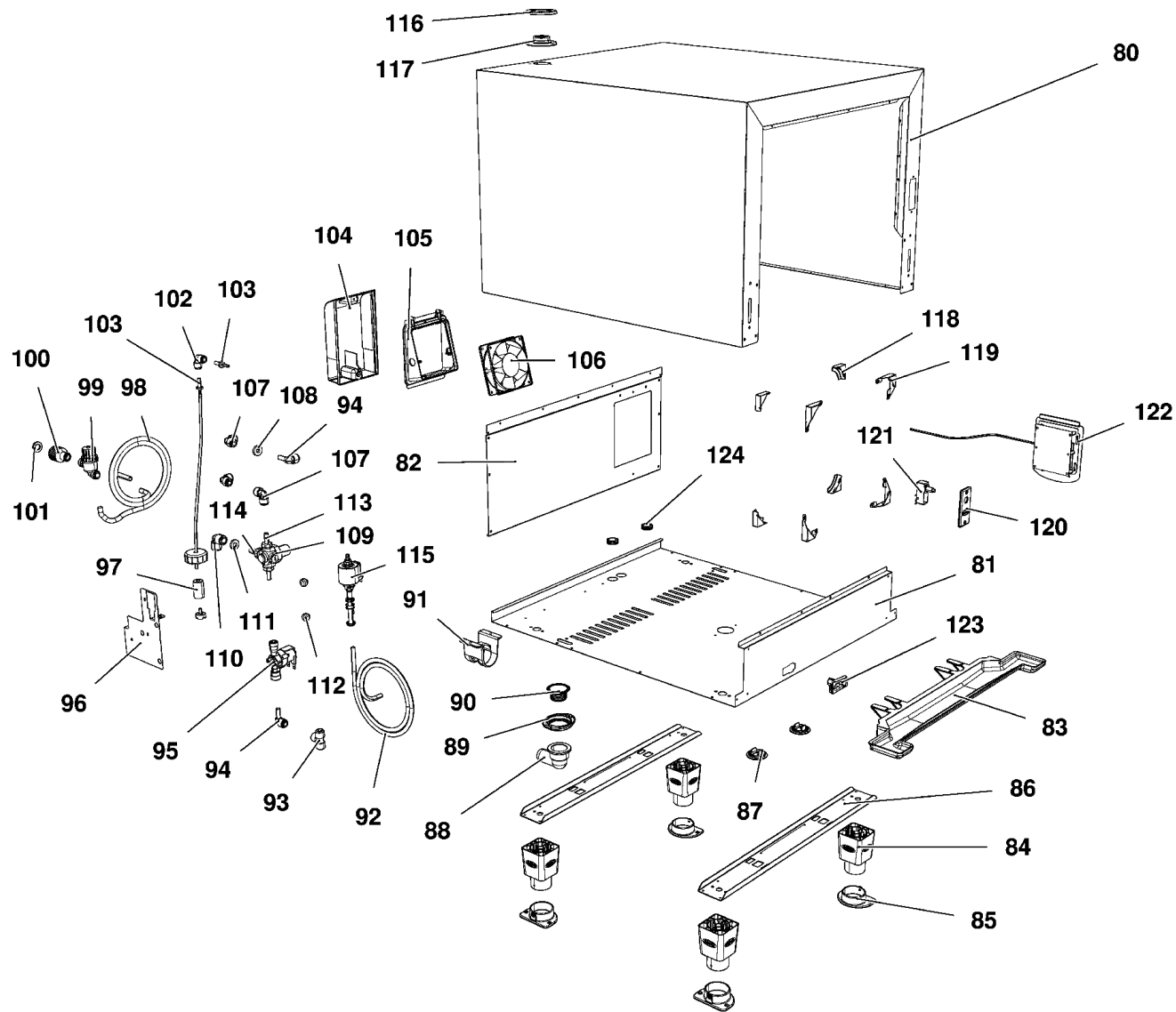
MOD:XVC055E



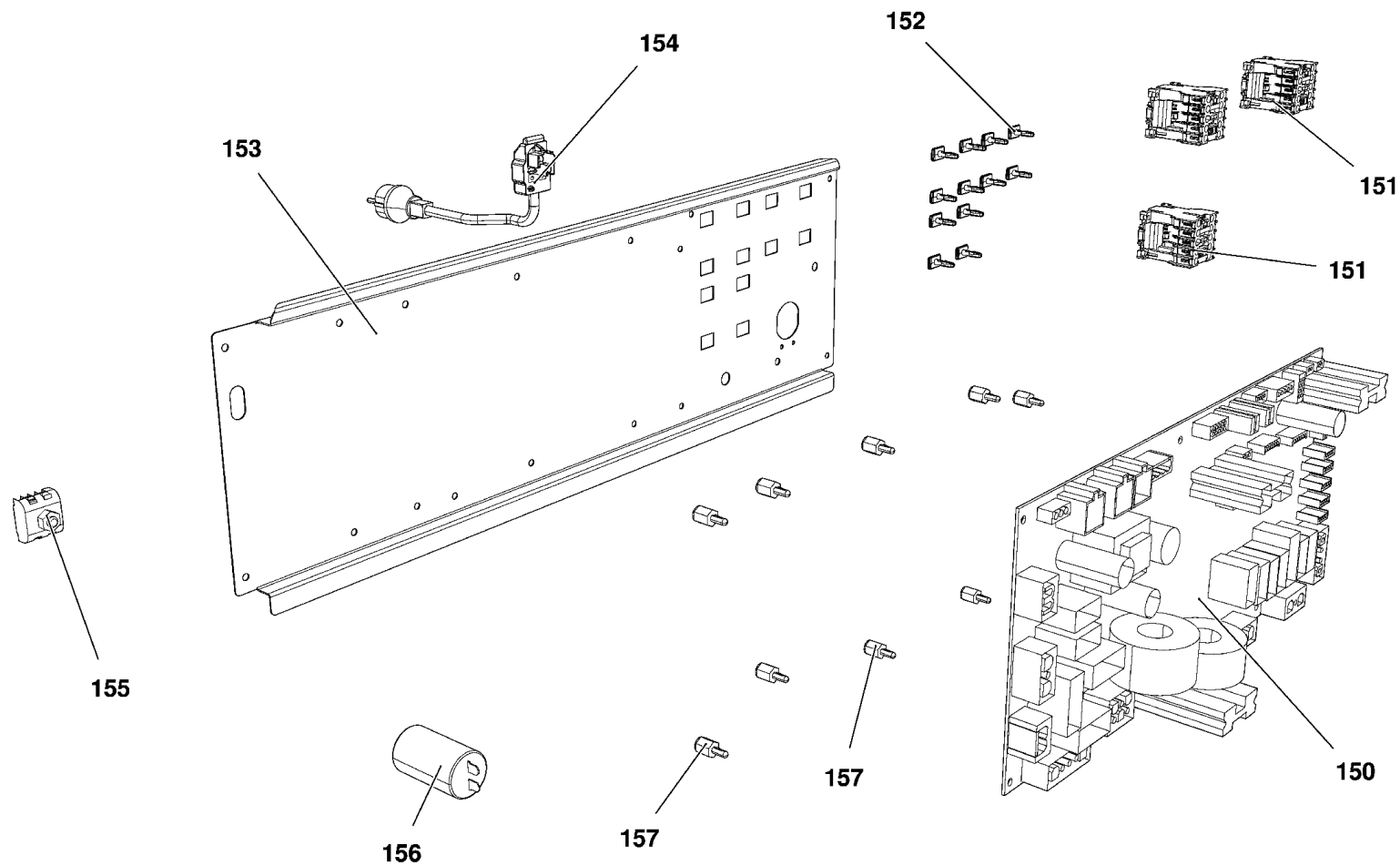
MOD:XVC055E



MOD:XVC055E



MOD:XVC055E



MOD:XVC055E



IT

Descrizione codici

1	VT1116B	VETRO ESTERNO SER. 572X424X5 CTFI. XVC055
2	VT1115B	VETRO INT. 489X415 XVC054
3	CR1050A	CERNIERA PORTA FORNO RIBALTA XVC104-LM
4	MG1015B	TERMINALE MANIGLIA L.MISS/L.MICRO/CHEFTO
5	OH2615B	TUBO MANIGLIA L= 492 Ø18X1
6	VM1918A	TAPPO COLONNINA INF DX
7	VM1919A	TAPPO COLONNINA INF SX
8	VM1916A	TAPPO COLONNINA SUP DX
9	VM1917A	TAPPO COLONNINA SUP SX
10	VM1620A	SUPPORTO INF BARRA LED
11	LP1000A	BARRA ILLUMINAZIONE LED L100
12	VM1621A	SUPPORTO SUP BARRA LED
13	CE1280A	CAVO COLLEGAMENTO POTENZA CONTROLLO L1.5
14	CE1285A	FERRITE EMI ROUND MOD. 2643801502
15	CE1290A	MORSETTO FEMMINA ESTRAIBILE CPF 5/4
16	PE1740A	SCHEDA CONTROLLO PE1705 CT BT
40	TB2354A	TUBO UMIDITA' CENT. XVC055E/105E Ø16X1
41	OG1510A	CARTER ARIA XVC055E
42	GN1356A	GN1110A-GUARNIZIONE PORTA XVC054-055
43	VN1030A	VENTOLA D196 H81 39 PALE DADO M8
44	RS1225A	RES. CIRCOLARE 4700W 230V D230 6 SPIRE
45	RS1215A	RES. PIANA 147W 105V D230 1 SPIRA
46	GN1326A	GUARNIZIONE RESISTENZA 71X19 G6.25
47	GN1085A	GUARNIZIONE RESISTENZA 141X24 G6.25
48	TR1040A	SONDA AL CUORE STAMPATA L=1320
49	GRL1215A	SUPPORTO LATERALE DX INOX 3TG GN2/3
50	VM1820A	NOTTOLINO M6 CROMATO FISS. SUPPORTI
51	TR1105A	SONDA TEMPERATURA PT100 L1000
52	GN1285A	GUARNIZIONE Sonda DI TEMPERATURA NTC
53	VM1465A	COPERCHIO Sonda TEMPERATURA CHEFTOP
54	VM1955B	CORPO GIRANTE LAVAGGIO

55	OH3015A	TUBO EST. UMIDITA' + RC1165A0
56	RC1170A	DADO M14 H=8 CH=22 INOX
57	EL1361A	ELETTRIVALVOLA TRI-STADIO JG D8-D10
58	GN1140A	GUARNIZIONE PORTAMOTORE STAMP.
59	OH4305A	DISCO TENUTA ALBERO MOTORE INOX STP
60	VN1130A	MOTORE FORNO 330W 230V 50/60HZ
61	PE1710A	SENSORE NUMERO GIRI MOTORE
62	OH3586A	LAMIERA PROTEZIONE MOTORE ZINCATO
63	EL1055A	RIDUZIONE INTERMEDIA D10-D8
64	VE1135A	ATTUATORE VENTURI 220V 50/60 HZ SERIE 2
65	RC1378A	FASCETTA STRINGI TUBO ZINCATA
66	TB1956A	TB1520A-TUBO NERO EPDM L=50
67	GRL1216A	SUPPORTO LATERALE SX INOX 3TG GN2/3
68	OH2551A	TAPPO PER TUBO DI SCARICO LIQUIDI INOX C
80	OD2195A	MANTELLINO XVC055E
81	OE1326A	FONDO ESTERNO XVC055E
82	OF1458A	SCHIENA XVC055E
83	VM1990A	CASSETTO RACCOGLI GOCCE 574
84	PD1066B	PIEDE H100 PLASTICA BICOMPONENTE
85	PD1063A	STAFFA BLOCCAGGIO PIEDE CT BT
86	OH6507A	LAMIERA RINFORZO PIEDI H100 CT 055/205
87	VM1220A	CLIP FISSAGGIO CASSETTO RACCOGLI GOCCE
88	VL1026A	CURVA PER TUBO DI SCARICO
89	VM2039A	ANELLO FISSAGGIO CURVA DI SCARICO
90	GN1400A	GUARNIZIONE SIFONE
91	VM2035A	SUPPORTO PER TUBO DI SCARICO
92	TB2235A	ROCCETTO DETERGENTE TUBO Ø8
93	EL1020A	RACCORDO INTERMEDIO "T" TUBO Ø8
94	EL1195B	RACCORDO GOMITO D8F-D8M
95	EL1411A	ELETTRIVALVOLA H2O CON CHECK VALVE
96	OH6413A	SUPPORTO IMPIANTO IDRICO

97	VL1044A	KIT FILTRO E AFFONDANTE
98	TB2237A	TUBO Ø10 ALLACCIAMENTO RETE
99	VL1034A	FILTRO ACQUA Ø10 MESH100
100	RC1365A	RACCORDO JG FEMMINA 3/4"-10
101	GN1200A	GUARNIZIONE D=24 RACCORDO 3/4 GOMMA
102	RC1373A	RACCORDO GOMITO Ø6F-Ø6F
103	VL1043A	PORTAGOMMA D4-CODOLO D6
104	VM1556A	PROTEZIONE VENTOLA RAFFREDDAMENTO CT-BT
105	VM1555A	SUPPORTO VENTOLA RAFFREDDAMENTO CT BT
106	VN1120B	VENTOLA RAFFREDDAMENTO 12V CABLATA
107	EL1185B	RACCORDO GOMITO D8F-D8F
108	VM2029A	RONDELLA GOMMA 20X8X4
109	VL1042A	RIDUTTORE PRESSIONE CON DISTRIBUTORE
110	RC1360A	RACCORDO GOMITO JG 10-10
111	VM2028A	RONDELLA GOMMA 20X10X4
112	VM1630A	TAPPO PREMI VETRO INTERNO
113	RC1374A	RACCORDO 1/4 M CIL- Ø8 M
114	RC1372A	RACCORDO DRITTO Ø10M-1/4 M CIL
115	VL1038A	POMPA VIBRAZIONE
116	OH3790A	LAMIERA TENUTA CAMINO
117	GN1275A	GUARNIZIONE CAMINO SILICONE NERO XVC
118	VM1008A	ANGOLARE INT. SUPPORTO GUARNIZIONE
119	OH1450A	ANGOLO FACCIATA MUFFOLA INOX XB-XV-XG
120	VM1200A	PIASTRINA SUPPORTO MICROPORTA MECCANICO
121	MP1000A	MICROINTERRUTTORE PORTA MECCANICO 16A
122	PE1971A	ASSIEME RIARMO RJ45
123	VM1225A	PIASTRINA PASSACAVO CONTROLLO
124	VM1505A	PASSAPARETE CON DIAFRAMMA
150	PE1725D	SCHEDA POTENZA FORNI CT-BT S5.E
151	VE1115A	MINICONTATTORE QUADRIPOLORE 20 A 230 V
152	VM1075A	CLIP DI FISSAGGIO PER TELERUTTORI

153	OH1172A	PROFILO PORTA COMPONENTI XVC055E
154	MR1000A	CAVO 3X1,5 H07RN-F MT1,5+K2/3+SCHUKO
155	VM1750A	MORSETTIERA A PETTINE
156	VE1110A	CONDENSATORE 6,3 7F 450VAC 50/60HZ
157	VM1745A	SUPPORTO PER SCHEDA

MOD:XVC055E



EN

Codes descriptions

1	VT1116B	XVC055 EXTERNAL GLASS 572X424X5
2	VT1115B	XVC055 INTERNAL GLASS 489X415
3	CR1050A	DOOR HINGE XVC104-LM ROSSELLA
4	MG1015B	L.MISS/L.MICRO/CHEFTOP HANDLE TERMINALS
5	OH2615B	HANDLE TUBE L = 492 Ø18X1
6	VM1918A	RIGHT LOWER COLUMN CAP
7	VM1919A	LEFT LOWER COLUMN CAP
8	VM1916A	RIGHT UPPER COLUMN CAP
9	VM1917A	LEFT UPPER COLUMN CAP
10	VM1620A	LED BAR LOWER SUPPORT
11	LP1000A	LED LIGHTING BAR L100
12	VM1621A	LED BAR UPPER SUPPORT
13	CE1280A	CABLE TO CONNECT POWER-CONTROL
14	CE1285A	EMI ROUND FERRITE MOD.2643801502
15	CE1290A	EXTRACTABLE FEMALE TERMINAL CPF 5/4
16	PE1740A	CT BT CONTROL BOARD PE1705 + BOARD COVER
40	TB2354A	XVC055E/105E INTERNAL CENTRAL WATER PIPE
41	OG1510A	XVC055E FAN GUARD
42	GN1356A	XVC055 DOOR GASKET - GN1110A
43	VN1030A	MOTOR FAN D196 H81 39 BLADE NUT M8
44	RS1225A	6 T. HEATING ELEMENT 1,7+1,7+1,3 KW 230V
45	RS1215A	147W 105V D230 1 TURN FLAT ELEMENT
46	GN1326A	ELEMENT SEALING
47	GN1085A	HEATING ELEMENT GASKET 141X24 G6.25
48	TR1040A	MOLDED CORE PROBE L=1320
49	GRL1215A	3 GN2/3 ST. STEEL RIGHT LATERAL SUPPORT
50	VM1820A	LATERAL SUPPORTS M6 FIXING BOLTS
51	TR1105A	TEMPERATURE PROBE PT100 L1000
52	GN1285A	NTC TEMPERATURE PROBE SEALING
53	VM1465A	CHEFTOP TEMPERATURE PROBE COVER
54	VM1955B	WASHIG SYSTEM ROTOR

55	OH3015A	EXTERNAL WATER PIPE+WELDED CONNECTION
56	RC1170A	STAINLESS STEEL NUT M14 H=8 CH=22
57	EL1361A	J.G. THREE-STAGE SOLENOID VALVE D8-D10
58	GN1140A	MOLDED MOTOR SUPPORT GASKET
59	OH4305A	ST. STEEL MOTOR SHAFT SEALING DISC
60	VN1130A	330W 230V 50/60HZ MOTOR
61	PE1710A	MOTOR REVOLUTIONS SENSOR
62	OH3586A	ZINCATE MOTOR GUARD PLATE XBC-XVC
63	EL1055A	INTERMEDIATE REDUCTION FROM D=10 TO D=8
64	VE1135A	VENTURI ACTUATOR 220 V 50/60 HZ SERIES 2
65	RC1378A	HOSE CLAMP
66	TB1956A	TB1520A - EPDM BLACK PIPE L=50
67	GRL1216A	3 GN2/3 ST. STEEL LEFT LATERAL SUPPORT
68	OH2551A	XBC/XVC ST.STEEL DRAIN COVER
80	OD2195A	XVC055E EXTERNAL CHASING
81	OE1326A	XVC055E EXTERNAL BOTTOM PANEL
82	OF1458A	XVC055E EXTERNAL BACK PANEL
83	VM1990A	DRIP TRAY
84	PD1066B	BI-COMPONENT FOOT H100
85	PD1063A	CT BT FOOT STOP BRACKET
86	OH6507A	XVC055-205 H100 FOOT STIFFENING PANEL
87	VM1220A	CLIP TO FIX DRIP TRAY C.T.
88	VL1026A	BEND FOR DRAIN PIPE
89	VM2039A	DRAIN BEND FIXING RING
90	GN1400A	U-TRAP SEAL
91	VM2035A	DRAIN PIPE SUPPORT
92	TB2235A	Ø8 DETERGENT PIPE COIL
93	EL1020A	INTERMEDIATE "T" CONNECTION Ø8
94	EL1195B	D8F-D8M ELBOW CONNECTION
95	EL1411A	SOLENOID VALVE WITH CHECK VALVE
96	OH6413A	WATER SYSTEM SUPPORT

97	VL1044A	HOLD DOWN WEIGHT WITH FILTER
98	TB2237A	Ø10 WATER MAIN CONNECTION PIPE
99	VL1034A	Ø10 MESH100 WATER FILTER
100	RC1365A	3/4"-10 JG FEMALE CONNECTION
101	GN1200A	3/4 CONNECTION SEAL D=24 RUBBER+NET
102	RC1373A	Ø6F-Ø6F ELBOW FITTING
103	VL1043A	D4 PIPE HOLDER - D6 J.G. TERMINAL
104	VM1556A	XBC-XVC COOLING FAN GUARD
105	VM1555A	CT BT COOLING DOWN FAN SUPPORT
106	VN1120B	12V COOLING DOWN FAN
107	EL1185B	D8F-D8F ELBOW FITTING
108	VM2029A	RUBBER WASHER 20X8X4
109	VL1042A	PRESSURE REDUCER WITH DISTRIBUTOR
110	RC1360A	10 - 10 JG ELBOW FITTING
111	VM2028A	RUBBER WASHER 20X10X4
112	VM1630A	INTERNAL GLASS PUSHING CAP
113	RC1374A	1/4 - Ø8 M CIL. FITTING
114	RC1372A	Ø10M-1/4 M CIL. STRAIGHT CONNECTION
115	VL1038A	VIBRATION PUMP
116	OH3790A	CHIMNEY HOLDING PLATE
117	GN1275A	XBC/XVC BLACK CHIMNEY SEALING
118	VM1008A	GASKET SUPPORT INTERNAL CORNER
119	OH1450A	XB-XV-XG ST. STEEL MUFFLE FRONT CORNER
120	VM1200A	DOOR MECHANIC MICROSWITCH SUPPORT PLATE
121	MP1000A	MECCANIC DOOR MICROSWITCH 16A
122	PE1971A	RJ45 CONNECTION + RESET POINT
123	VM1225A	PLATE WITH HOLES FOR ELECTRONIC
124	VM1505A	WALL PASSING WITH DIAPHRAGM
150	PE1725D	E SERIES CHEFTOP-BAKERTOP POWER CARD
151	VE1115A	MINI CONTACTOR WITH 4 POLES 20 A 230 V
152	VM1075A	PLASTIC CLIP TO FIX CONTACTORS

153	OH1172A	XVC055E COMPONENTS HOLDER
154	MR1000A	CABLE 3X1,5 H07RN-F MT1,5+K2/3+SCHUKO
155	VM1750A	TERMINAL BOARD
156	VE1110A	CONDENSER 6,3 7F 450VAC 50/60HZ
157	VM1745A	BOARD SUPPORT