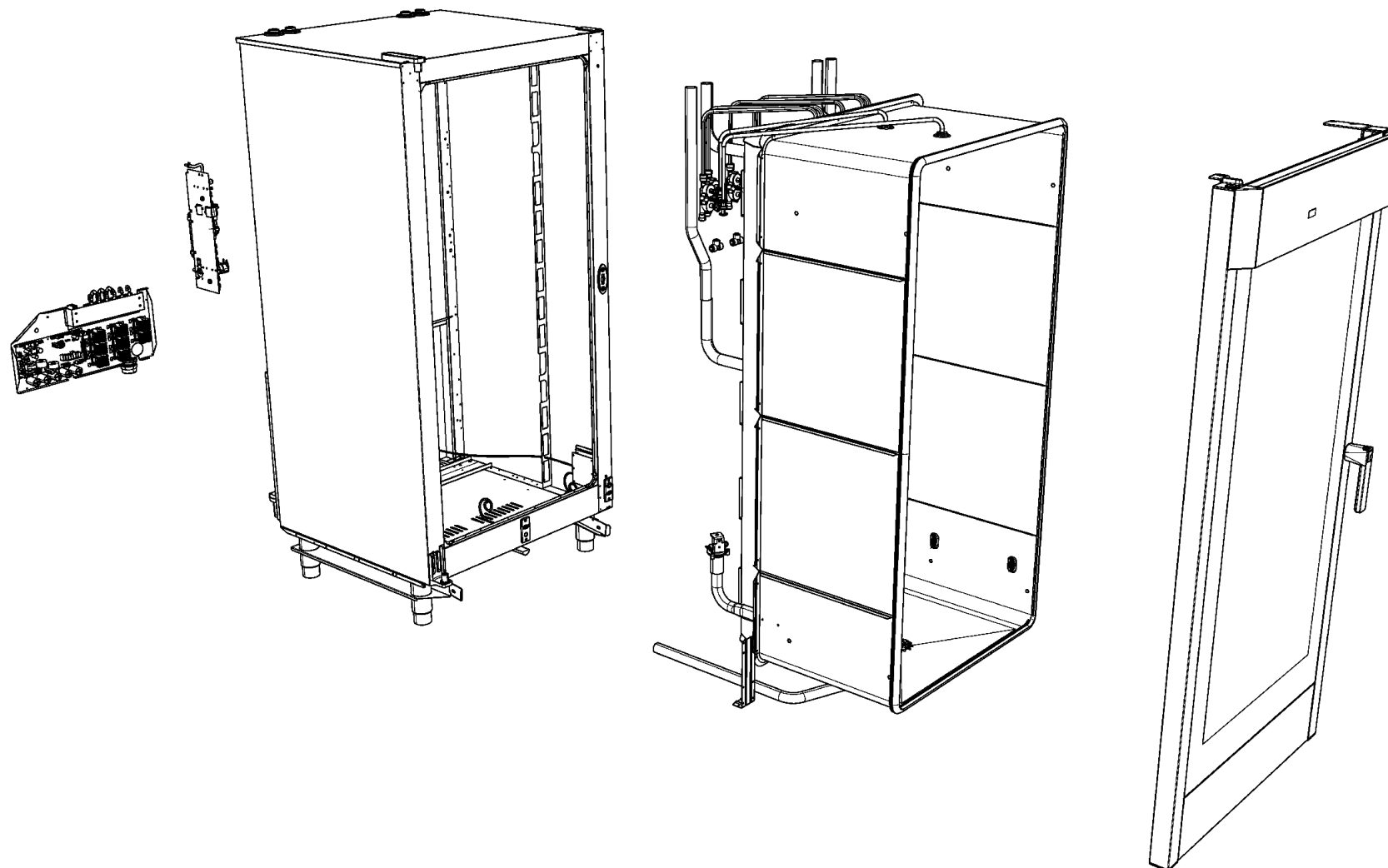
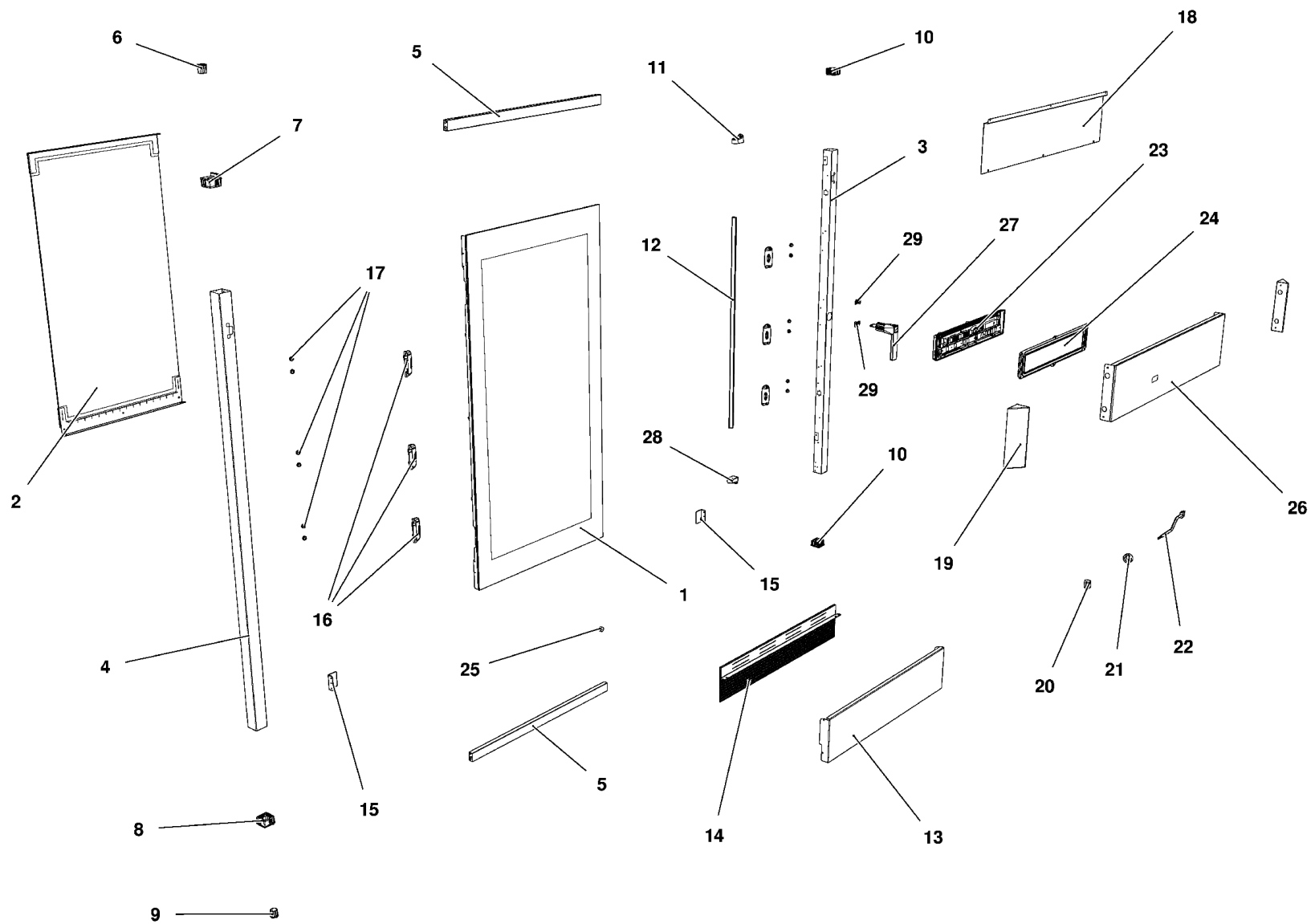


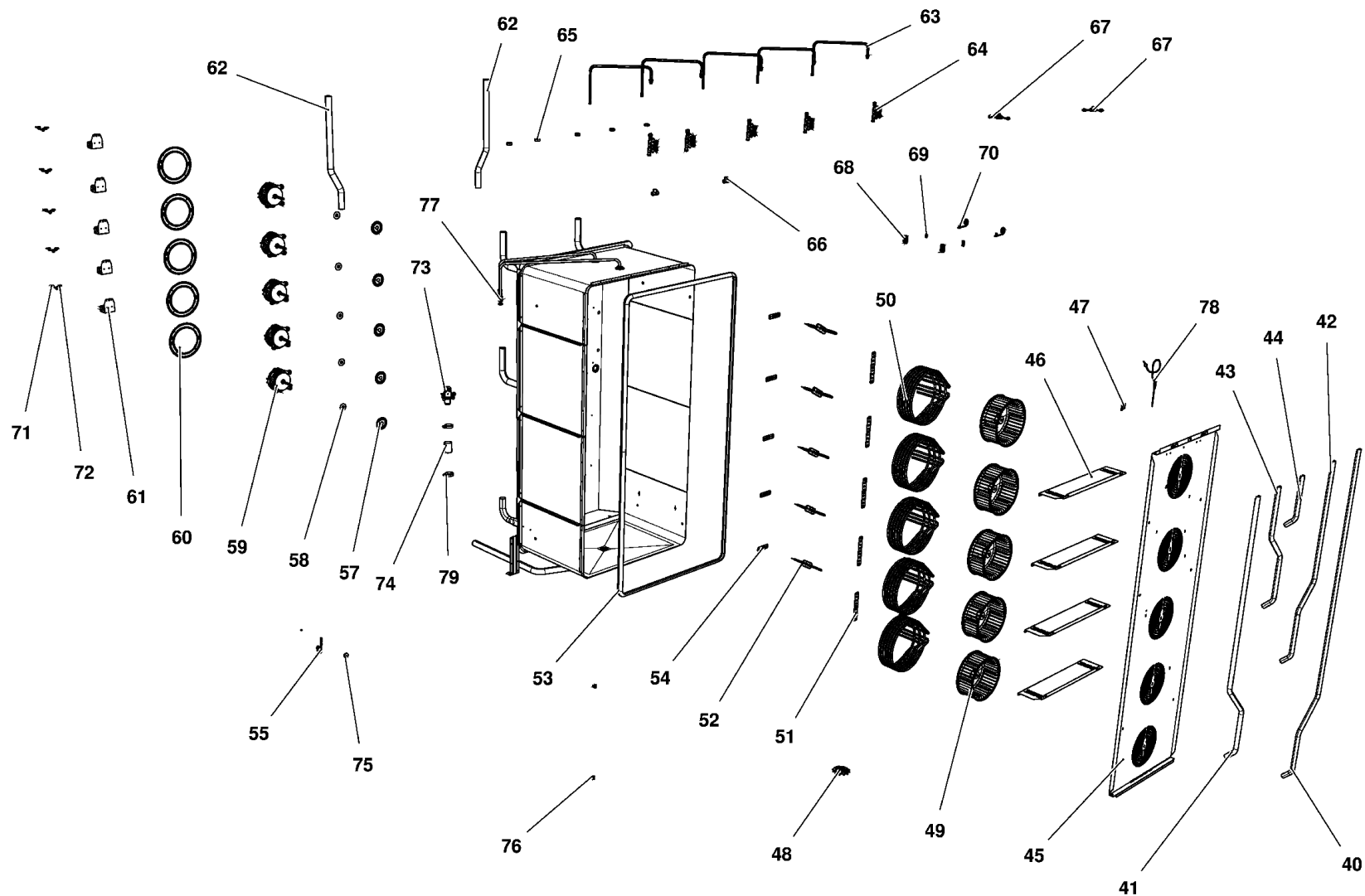
MOD:XVC1005EP



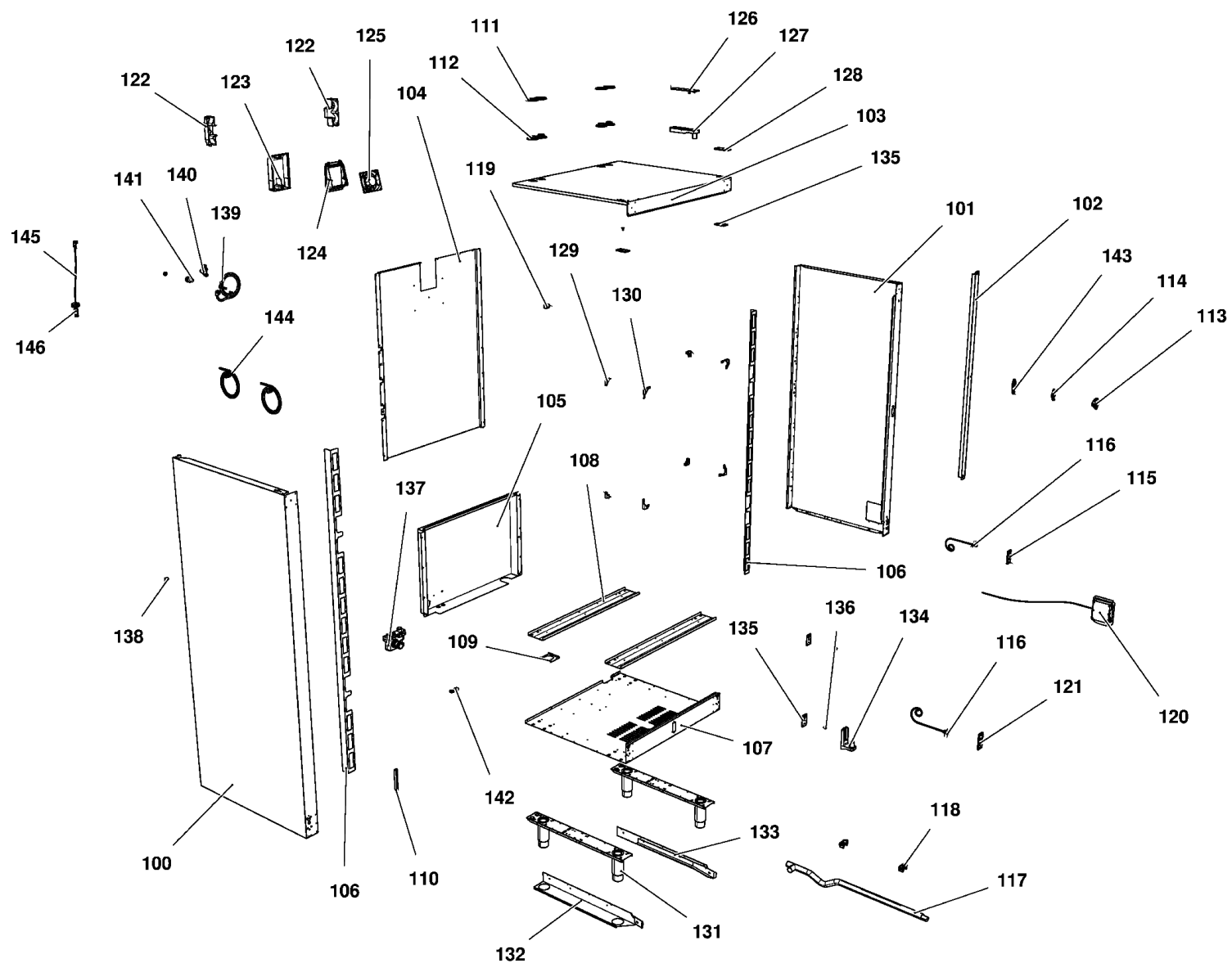
MOD:XVC1005EP



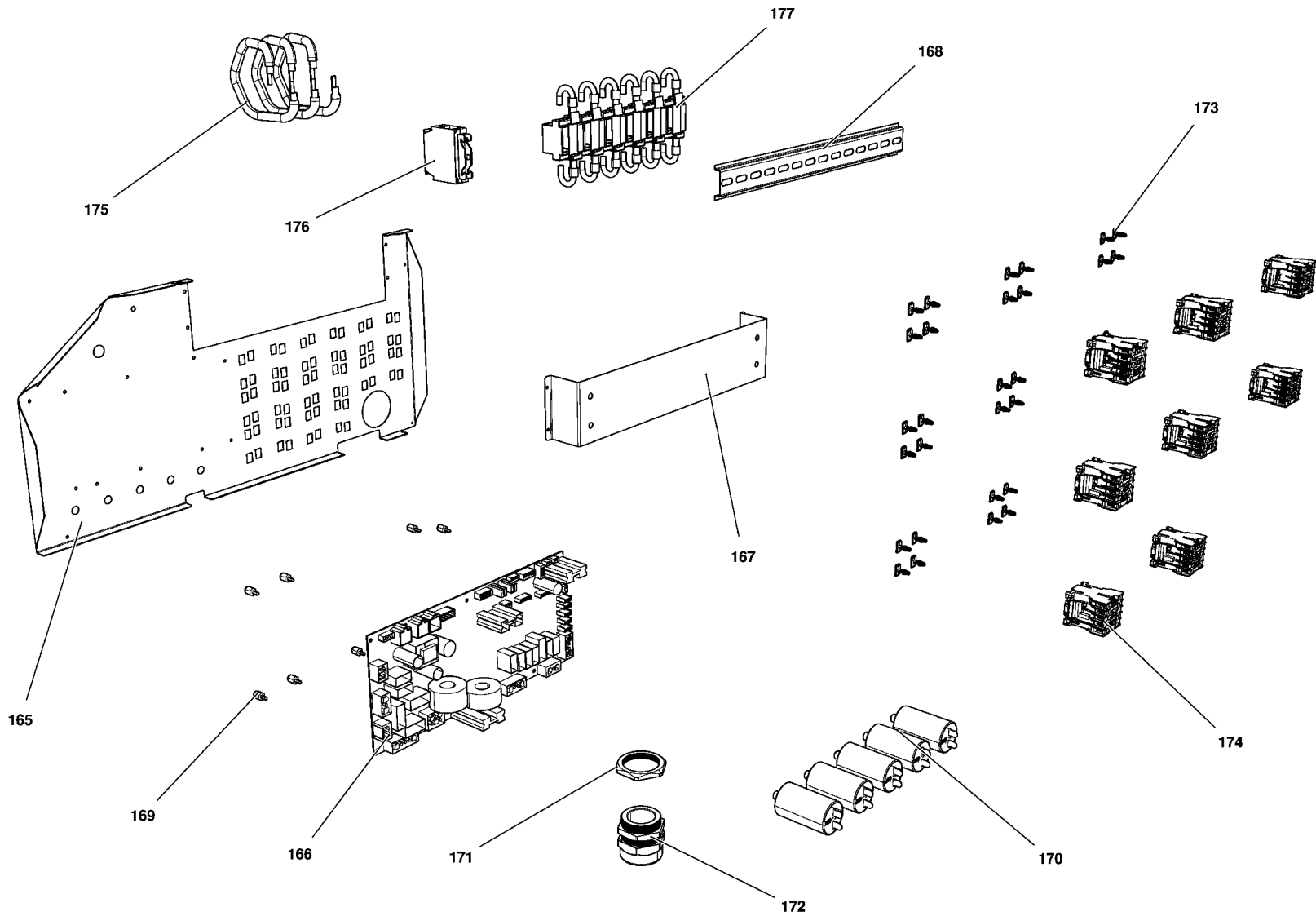
MOD:XVC1005EP



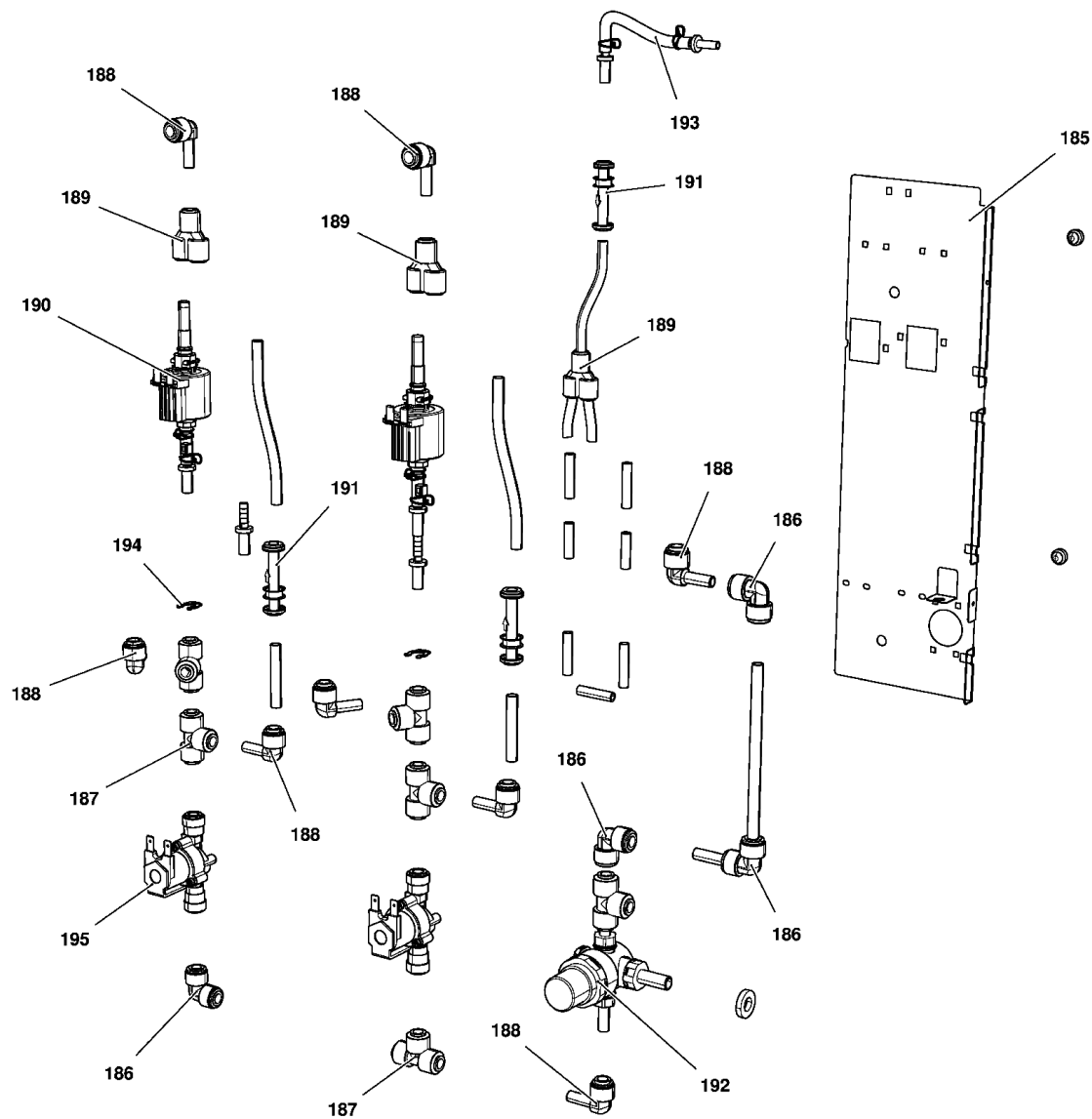
MOD:XVC1005EP



MOD:XVC1005EP



MOD:XVC1005EP



MOD:XVC1005EP



IT

Descrizione codici

1	VT1161A	VETRO ESTERNO SER. 757X1467X5
2	VT1160A	VETRO INTERNO SER. 730X1395X6
3	TB2335A	COLONNINA DX SERIE 1000/3200/4000
4	TB2336A	COLONNINA SX SERIE 1000/3200/4000
5	OH3170A	LIST. INF/SUP XVC1004/XBC1004 40x
6	VM1511A	BOCCOLA LISCIA PERNO PORTA CHEFFT
7	VM1170B	TAPPO FULCRO SUP. PORTA XVC204/30
8	VM1171B	TAPPO FULCRO INF. PORTA XVC204/30
9	VM1510A	BOCCOLA SCANALATA PERNO PORTA XBC
10	VM1175A	TAPPO ESTETICO COLONNINA PORTA
11	VM1620A	SUPPORTO INF BARRA LED
12	LP1004B	BARRA ILLUMINAZIONE LED L1000
13	OH6458A	PROFILO INFERIORE PORTA XVC1005E/
14	GN1348E	GUARNIZIONE PORTA-CARRELLO GN1341
15	OH6445A	LAMIERA CAMMA PORTA BIG S.5E
16	VM1591A	STAFFA SPINGIVETRO INTERNO XVC100
17	VM1630A	TAPPO PREMI VETRO INTERNO
18	OH4450A	LAMIERA CHIUSURA POST. CRUSCOTTO
19	TB1565B	COLONNA PER CONTROLLO 1004
20	CE1290A	MORSETTO FEMMINA ESTRAIBILE CPF 5
21	CE1285A	FERRITE EMI ROUND MOD. 2643801502
22	CE1310A	CAVO COLLEGAMENTO POTENZA CONTROL
23	PE1740A	ASSIEME SCHEDA CONTROLLO PE1705
24	VM1145A	CORNICE CRUSCOTTO C.T.
25	VE1030A	CALAMITA D=22,9mm PER MICROPORTA
26	VT1170B	VETRO CRUSCOTTO SER. 757X170X4 XV
27	VM1180A	IMPUGNATURA MANIGLIA XVC204/304/5
28	VM1621A	SUPPORTO SUP BARRA LED
29	VM1490A	COPRI VITI MANIGLIA CHEFTOP BAKER
40	TB2334A	TUBO INT. UMIDITA' DX Ø16x1
41	TB2333A	TUBO INT. UMIDITA' DX Ø16x1

42	TB2332A	TUBO INT. UMIDITA' DX Ø16x1
43	TB2331A	TUBO INT. UMIDITA' SX Ø16x1
44	TB2330A	TUBO INTERNO UMIDITA' CENT. Ø16x1
45	OG1495A	CARTER ARIA SERIE 1005E
46	OG1396A	DISTANZIALE CARTER ARIA
47	OH6345A	PIASTRINA FORATA SUPP SONDA AL CU
48	OH2551A	TAPPO PER TUBO DI SCARICO LIQUIDI
49	VN1030A	VENTOLA D196 H81 39 PALE DADO M8
50	RS1205A	RES. CIRCOLARE 5600W 230V D230 6
51	GN1085A	GUARNIZIONE RESISTENZA 141x24 G6.
52	RS1215A	RES. PIANA 147W 105V D230 1 SPIRA
53	GN1392C	GN1006A-GUARNIZIONE PORTA XVC1005
54	GN1326A	GUARNIZIONE RESISTENZA 71x19 G6.2
55	PE1710A	SENSORE NUMERO GIRI MOTORE
57	OH4305A	DISCO TENUTA ALBERO MOTORE INOX S
58	GN1140A	GUARNIZIONE PORTAMOTORE STAMP.
59	VN1130A	MOTORE FORNO 330W 230V 50/60HZ
60	OH3586A	LAMIERA PROTEZIONE MOTORE ZINCATO
61	OH4851A	STAFFA CABLAGGIO CT BT -
62	TB1873A	TUBO CONVOGLIATORE FUMI SERIE 100
63	TB1515A	TUBO EST. UMIDITA' + RC1165A0
64	EL1361A	ELETTROVALVOLA TRI-STADIO JG D8-D
65	RC1170A	DADO M14 H=8 CH=22 INOX
66	EL1020A	RACCORDO INTERMEDIO "T" TUBO Ø8
67	VM1955B	CORPO GIRANTE LAVAGGIO
68	VM1465A	COPERCHIO SONDA TEMPERATURA CHEFT
69	GN1285A	GUARNIZIONE SONDA DI TEMPERATURA
70	TR1106A	SONDA TEMPERATURA PT100 L2000
71	VM1610A	CLIP TWIST LOCK DIAM. 7,6-10,2 MM
72	RC1310A	FASCETTA RICHO 140X4 CON CLIP
73	VE1135A	ATTUATORE VENTURI 220V 50/60 Hz 5

74	TB1956A	TB1520A-TUBO NERO EPDM L=50
75	VM1635A	DISCO SUPPORTO MAGNETE
76	VM1820A	NOTTOLINO M6 CROMATO FISS. SUPPOR
77	EL1055A	RIDUZIONE INTERMEDIA D10-D8
78	SN1012A	SONDA CUORE MULTIPUNTO L2730
79	RC1378A	FASCETTA STRINGI TUBO ZINCATA
100	OD2182A	FIANCO SX XVC1005/4005
101	OD2183A	FIANCO DX XVC1005/4005
102	OH3280A	LAMIERA REGGI SCROCCO INOX XVC100
103	OD2184A	COPERCHIO INOX SERIE 905E-1005E
104	OF1453A	SCHIENA SUPERIORE SERIE 1005E-400
105	OF1454A	SCHIENA INFERIORE SERIE 1005E-400
106	OH3750A	LAMIERA INOX RINFORZO FIANCO XVC1
107	OE1319A	FONDO EST SERIE 905E-1005E
108	OH3290A	TRAVERSO RINFORZO FONDO INOX XVC1
109	OH6420A	LAMIERA SUPPORTO PRESSACAVO
110	OH3710A	PARATIA PROTEGGI STAFFA INOX
111	OH3790A	LAMIERA TENUTA CAMINO
112	GN1275A	GUARNIZIONE CAMINO SILICONE NERO
113	VM1190A	SCROCCO MANIGLIA DX CT BT
114	VM1192A	COPERCHIO SCROCCO MANIGLIA CT BT
115	VM1201A	PIASTRINA SUPPORTO MICROPORTA MAG
116	VE1020A	MICROINTERRUTTORE PORTA MAGNETICO
117	TB2298A	TUBO SCARICO ACQUA CARRELLATI Ø30
118	VM2036A	SUPPORTO TUBO SCARICO ACQUA
119	VM1810A	TAPPO TENUTA ACQUA DX
120	PE1971A	ASSIEME RIARMO RJ45
121	VM1200A	PIASTRINA SUPPORTO MICROPORTA MEC
122	VM1924A	PROTEZIONE PER COVER VENTOLA
123	VM1556A	PROTEZIONE VENTOLA RAFFREDDAMENTO
124	VM1555A	SUPPORTO VENTOLA RAFFREDDAMENTO C

125	VN1120B	VENTOLA RAFFREDDAMENTO 12V CABLAT
126	VM1166A	COPERCHIO STAFFA SUPERIORE PORTA
127	VM1165B	STAFFA SUPERIORE PORTA CT BT
128	VM1195A	PIASTRINA COPRIFORI XVC204/304/50
129	VM1008A	ANGOLARE INT. SUPPORTO GUARNIZION
130	OH1450A	ANGOLO FACCIATA MUFFOLA INOX XB-X
131	PD1020A	LONGHERONE PIEDINI 2" REG H147-19
132	OH5045A	ASM GUIDE CARRELLO SX SERIE 1000
133	OH5044A	ASM GUIDE CARRELLO DX SERIE 1000
134	VM1160B	STAFFA INFERIORE PORTA CT BT
135	OH2560A	CONTROSTAFFA ZINCATA PORTA C.T.
136	VM1240A	TAPPO NYLON SUPPORTO CONTROSTAFFA
137	VL1005A	VASCA SIFONE
138	VM1750A	MORSETTIERA A PETTINE
139	TB2237A	TUBO Ø10 ALLACCIAMENTO RETE
140	VL1034A	FILTRO ACQUA Ø10 MESH100
141	RC1365A	RACCORDO JG FEMMINA 3/4"-10
142	VM1505A	PASSAPARETE CON DIAFRAMMA
143	VM1455A	COPERCHIO PER SCROCCO FORNO XVC-X
144	TB2235A	ROCCETTO DETERGENTE TUBO Ø8
145	TB2242A	TUBO Ø6 LAVAGGIO 2M
146	VL1044A	KIT FILTRO E AFFONDANTE
165	OH6450A	PROFILO PORTA COMPONENTI CT S.5E
166	PE1725D	SCHEDA POTENZA FORNI CT-BT S.5E
167	OH6421A	LAMIERA SUPPORTO MORSETTIERA
168	OH1852A	BARRA OMEGA PORTA 6 Teleruttori P
169	VM1745A	SUPPORTO PER SCHEDA
170	VE1110A	CONDENSATORE 6,3 µF 450VAC 50/60
171	VE1350A	DADO PER PRESSACAVO PG42
172	VE1345A	PRESSACAVO IP67 PG42
173	VM1075A	CLIP DI FISSAGGIO PER Teleruttori

174	VE1115A	MINICONTATTORE QUADRIPOLORE 20 A
175	CE1770A	CAVO UNIPOLARE 16 MMQ L=280 TERMINI
176	MR1011A	MORSETTO DI TERRA UL 125A PER BAR
177	CE1420A	MORSETTIERA UNIPOLARE 8 VIE Z16-8
185	OH6441A	SUPPORTO IMPIANO IDRICO DOPPIO VE
186	EL1185B	RACCORDO GOMITO D8F-D8F
187	EL1020A	RACCORDO INTERMEDIO "T" TUBO Ø8
188	EL1195B	RACCORDO GOMITO D8F-D8M
189	EL1115B	RACCORDO Y D8
190	VL1038A	POMPA VIBRAZIONE
191	EL1180A	RACCORDO NON RITORNO Ø8 Ø8 FEMMINA
192	VL1014A	RIDUTTORE DI PRESSIONE CON DISTRI
193	TB2429A	TUBO PVC Ø9X6 L 250 MM
194	EL1345A	CLIP BLOCCA PINZETTA RACCORDI Ø8
195	EL1411A	ELETTROVALVOLA H2O CON CHECK VALV

MOD:XVC1005EP



EN

Codes descriptions

1	VT1161A	SER. EXTERNAL GLASS 757X1467X5
2	VT1160A	SER. INTERNAL GLASS 730X1395X6
3	TB2335A	S.5E RIGHT DOOR COLUMN 1000/3200/
4	TB2336A	S.5E LEFT DOOR COLUMN 1000/3200/4
5	OH3170A	UPPER/LOWER DOOR LISTEL XVC1004/X
6	VM1511A	XBC/XVC SLEEK DOOR PIN BUSHING
7	VM1170B	UPPER DOOR FULCRUM CAP
8	VM1171B	DOOR LOWER FULCRUM CAP
9	VM1510A	XBC/XVC GROOVED DOOR PIN BUSHING
10	VM1175A	DOOR COLUMN BLANKING CAP
11	VM1620A	LED BAR LOWER SUPPORT
12	LP1004B	LEB LIGHTING BAR L1000
13	OH6458A	XVC1005E/XBC1005 LOWER DOOR PROFI
14	GN1348E	DOOR-TROLLEY SEALING E SERIES H14
15	OH6445A	E SERIES BIG OVENS CAM PLATE
16	VM1591A	GLASS BRACKET INT. XVC1004
17	VM1630A	INTERNAL GLASS PUSHING CAP
18	OH4450A	CLOSING PLATE BACK COVER
19	TB1565B	TERMINAL CONTROL PANEL
20	CE1290A	EXTRACTABLE FEMALE TERMINAL CPF 5
21	CE1285A	EMI ROUND FERRITE MOD.2643801502
22	CE1310A	POWER - CONTROL BOARD CONNECTING
23	PE1740A	CONTROL BOARD PE1705 + BOARD COVE
24	VM1145A	C.T. BOARD FRAME
25	VE1030A	MAGNET FOR DOOR MICROSWITCH D=22,
26	VT1170B	INSTRUMENT PANEL GLASS 757X170X4
27	VM1180A	HANDLE HAFT XVC204/304/504/704
28	VM1621A	LED BAR UPPER SUPPORT
29	VM1490A	CHEFTOP/BAKERTOP HANDLE SCREWS CO
40	TB2334A	INTERNAL RIGHT WATER PIPE Ø16x1
41	TB2333A	INTERNAL RIGHT WATER PIPE Ø16x1

42	TB2332A	INTERNAL RIGHT WATER PIPE Ø16x1
43	TB2331A	INTERNAL LEFT WATER PIPE Ø16x1
44	TB2330A	INTERNAL CENTRAL WATER PIPE Ø16x1
45	OG1495A	1005E SERIES FAN GUARD
46	OG1396A	B.T. C.T. FAN GUARD SPACER
47	OH6345A	CORE PROBE SUPPORT PERFORATED PLA
48	OH2551A	XBC/XVC ST.STEEL DRAIN COVER
49	VN1030A	MOTOR FAN D196 H81 39 BLADE NUT M
50	RS1205A	5600W 230V D230 6 TURNS HEATING E
51	GN1085A	HEATING ELEMENT GASKET 141x24 G6.
52	RS1215A	147W 105V D230 1 TURN FLAT ELEMEN
53	GN1392C	XVC1005-4005 DOOR GASKET - GN1006
54	GN1326A	ELEMENT SEALING
55	PE1710A	MOTOR REVOLUTIONS SENSOR
57	OH4305A	ST. STEEL MOTOR SHAFT SEALING DIS
58	GN1140A	MOLDED MOTOR SUPPORT GASKET
59	VN1130A	330W 230V 50/60HZ MOTOR
60	OH3586A	ZINCATE MOTOR GUARD PLATE XBC-XVC
61	OH4851A	BT CT WIRING SUPPORT BRACKET
62	TB1873A	CONVEYOR FUME TUBE SERIES 1005 Ø3
63	TB1515A	EXTERNAL WATER PIPE + RC1165A0
64	EL1361A	J.G. THREE-STAGE SOLENOID VALVE D
65	RC1170A	STAINLESS STEEL NUT M14 H=8 CH=22
66	EL1020A	INTERMEDIATE "T" CONNECTION Ø8
67	VM1955B	WASHIG SYSTEM ROTOR
68	VM1465A	CHEFTOP TEMPERATURE PROBE COVER
69	GN1285A	NTC TEMPERATURE PROBE SEALING
70	TR1106A	TEMPERATURE PROBE PT100 L=2000
71	VM1610A	CLIP TWIST LOCK DIAM. 7,6-10,2 MM
72	RC1310A	140x4 CLAMP WITH CLIP
73	VE1135A	VENTURI ACTUATOR 220 V 50/60 Hz S

74	TB1956A	TB1520A - EPDM BLACK PIPE L=50
75	VM1635A	MAGNET HOLDING DISC
76	VM1820A	LATERAL SUPPORTS M6 FIXING BOLTS
77	EL1055A	INTERMEDIATE REDUCTION FROM D=10
78	SN1012A	INTERIOR CABINET MEAT PROBE
79	RC1378A	HOSE CLAMP
100	OD2182A	XVC1005/4005 LEFT SIDE EXTERNAL P
101	OD2183A	XVC1005/4005 RIGHT SIDE EXTERNAL
102	OH3280A	STAINLESS STEEL SPRING LATCH HOLD
103	OD2184A	905E-1005E SERIES COVER
104	OF1453A	1005E-4005E SERIES BACK UPPER EXT
105	OF1454A	1005E-4005E SERIES BACK LOWER PLA
106	OH3750A	INOX PLATE REINFORCEMENT SIDE XVC
107	OE1319A	905E-1005E EXTERNAL BOTTOM PANEL
108	OH3290A	TRAVERS REINFORCMENT BOTTOM XVC10
109	OH6420A	STAINLESS STEEL WIRE CLAMP SUPPOR
110	OH3710A	STAINLESS STEEL BULKHEAD GUARD BR
111	OH3790A	CHIMNEY HOLDING PLATE
112	GN1275A	XBC/XVC BLACK CHIMNEY SEALING
113	VM1190A	CT BT RIGHT DOOR SPRING LATCH
114	VM1192A	CT BT RIGHT DOOR SPRING LATCH COV
115	VM1201A	MAGNETIC SUPPORT PLATE FOR DOOR M
116	VE1020A	MAGNETIC DOOR MICROSWITCH
117	TB2298A	TROLLEY OVENS WATER DRAIN PIPE Ø3
118	VM2036A	DRAIN WATER PIPE SUPPORT
119	VM1810A	WATER RIGHT CAP SEAL
120	PE1971A	RI45 CONNECTION + RESET POINT
121	VM1200A	DOOR MECHANIC MICROSWITCH SUPPORT
122	VM1924A	FAN COVER GUARD
123	VM1556A	XBC-XVC COOLING FAN GUARD
124	VM1555A	CT BT COOLING DOWN FAN SUPPORT

125	VN1120B	12V COOLING DOWN FAN
126	VM1166A	CAP FOR DOOR UPPER STIRRUP XVC204
127	VM1165B	CT BT DOOR UPPER BRACHET
128	VM1195A	HOLES BLANKING PLATE XVC204/304/5
129	VM1008A	GASKET SUPPORT INTERNAL CORNER
130	OH1450A	XB-XV-XG ST. STEEL MUFFLE FRONT C
131	PD1020A	BRACKET FOR 2" ADJUSTABLE FEET H
132	OH5045A	1000 SERIES LEFT TROLLEY GUIDES
133	OH5044A	1000 SERIES RIGHT TROLLEY GUIDES
134	VM1160B	CT BT DOOR LOWER BRACKET
135	OH2560A	XBC/XVC ZINC PLAT. DOOR COUNTERBR
136	VM1240A	NYLON SUPPORT CAP
137	VL1005A	U-TRAP TANK
138	VM1750A	TERMINAL BOARD
139	TB2237A	Ø10 WATER MAIN CONNECTION PIPE
140	VL1034A	Ø10 MESH100 WATER FILTER
141	RC1365A	3/4"-10 JG FEMALE CONNECTION
142	VM1505A	WALL PASSING WITH DIAPHRAGM
143	VM1455A	SPRING LATCH COVER XVC-XBC1004
144	TB2235A	Ø8 DETERGENT PIPE COIL
145	TB2242A	WASHING SYSTEM PIPE Ø6 2M
146	VL1044A	HOLD DOWN WEIGHT WITH FILTER
165	OH6450A	E SERIES COMPONENTS HOLDER PROFIL
166	PE1725D	E SERIES CHEFTOP-BAKERTOP POWER C
167	OH6421A	TERMINAL BOARD HOLDING PLATE
168	OH1852A	OMEGA BAR 6 CONTACTORS HOLDER PRO
169	VM1745A	BOARD SUPPORT
170	VE1110A	CONDENSER 6,3 µF 450VAC 50/60Hz
171	VE1350A	NUT FOR WIRE CLAMP
172	VE1345A	IP67 PG42 WIRE CLAMP
173	VM1075A	PLASTIC CLIP TO FIX CONTACTORS

174	VE1115A	MINICONTACTOR WITH 4 POLES 20 A 2
175	CE1770A	UNIPOLAR CABLE 16 MMQ L=280
176	MR1011A	UL 125A GROUND TERMINAL
177	CE1420A	8 WAYS UNIPOLAR TERMINAL BOARD Z1
185	OH6441A	DOUBLE VERTICAL WATER SUPPLY SUPP
186	EL1185B	D8F-D8F ELBOW FITTING
187	EL1020A	INTERMEDIATE "T" CONNECTION Ø8
188	EL1195B	D8F-D8M ELBOW CONNECTION
189	EL1115B	Y D8 CONNECTION
190	VL1038A	VIBRATION PUMP
191	EL1180A	Ø8 Ø8 FEMALE NON-RETURN CONNECTIO
192	VL1014A	PRESSURE REDUCER WITH DISTRIBUTOR
193	TB2429A	PVC PIPE Ø9X6 L 250 MM
194	EL1345A	CLIP TO FIX Ø08 mm CONNECTION JOI
195	EL1411A	SOLENOID VALVE WITH CHECK VALVE