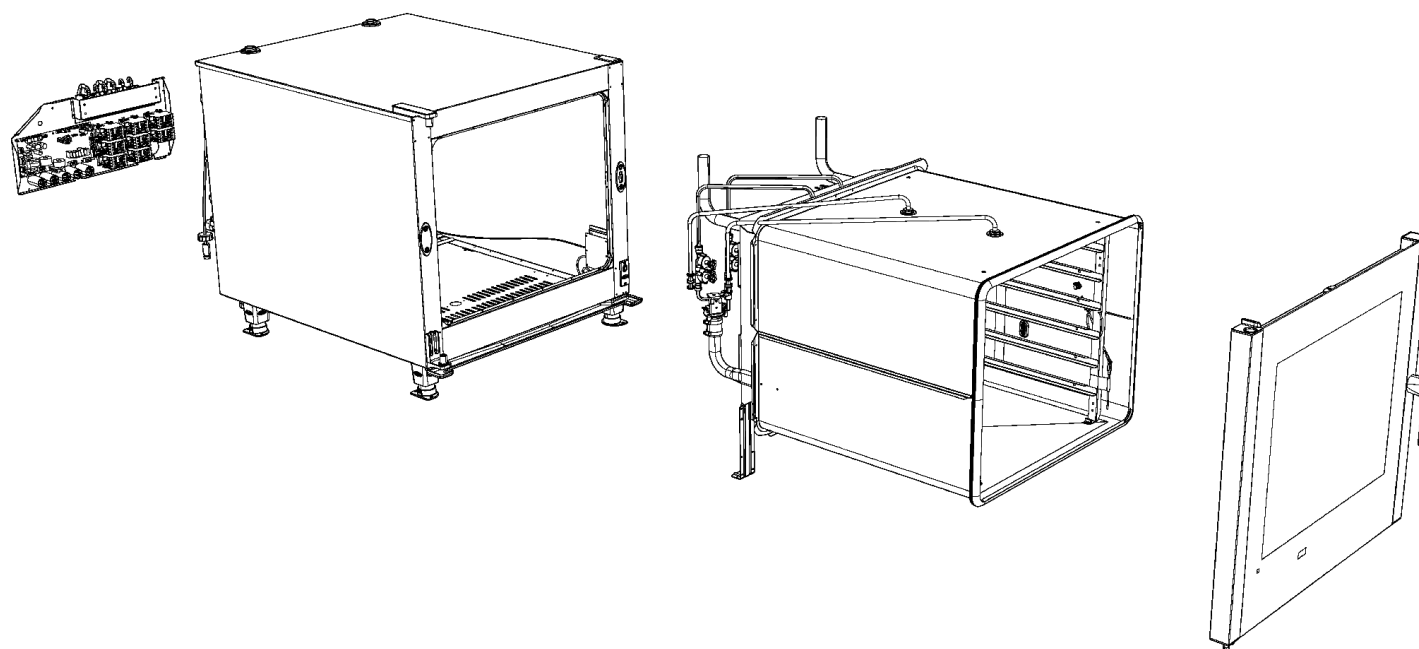
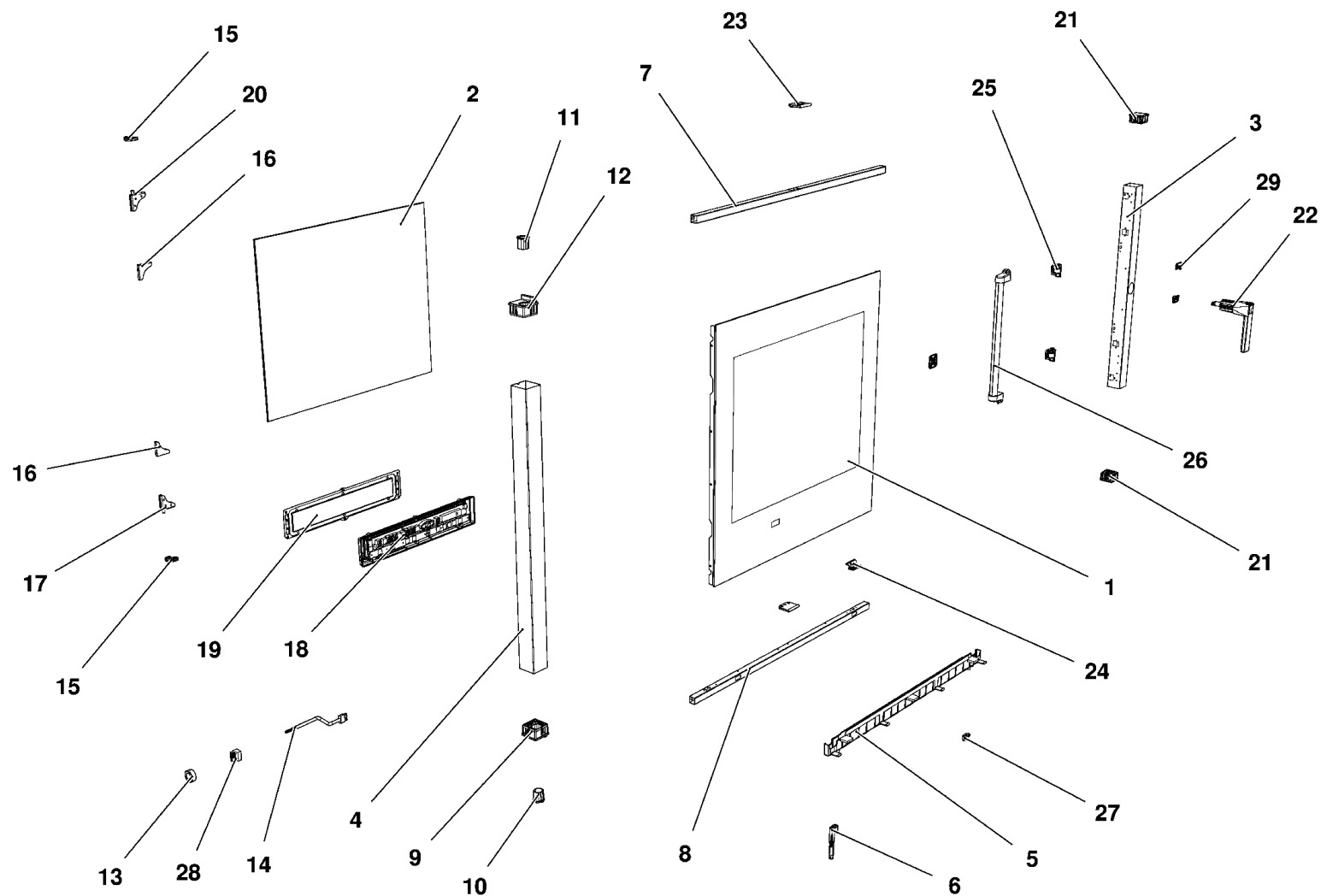


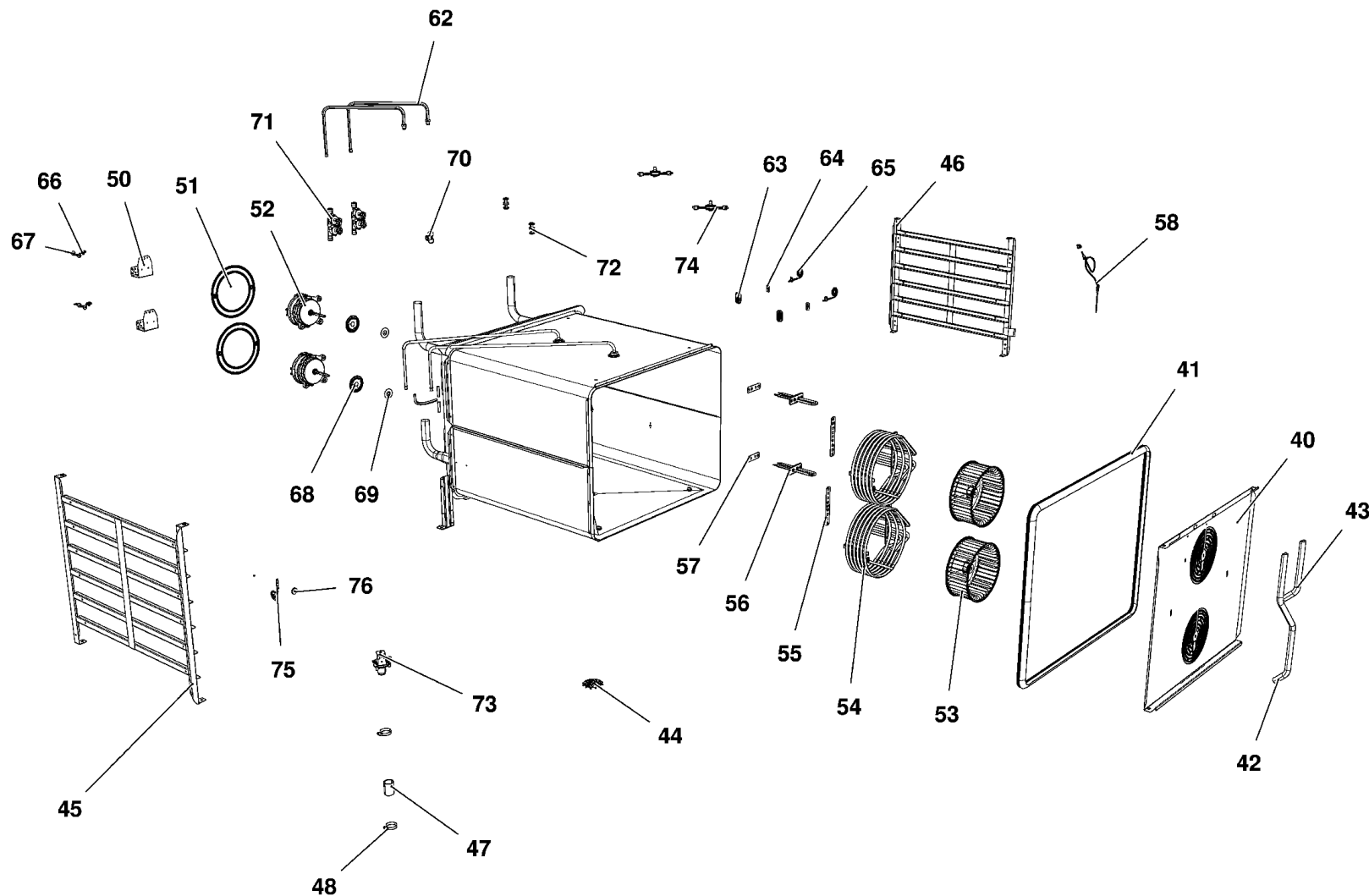
MOD:XVC1205EP



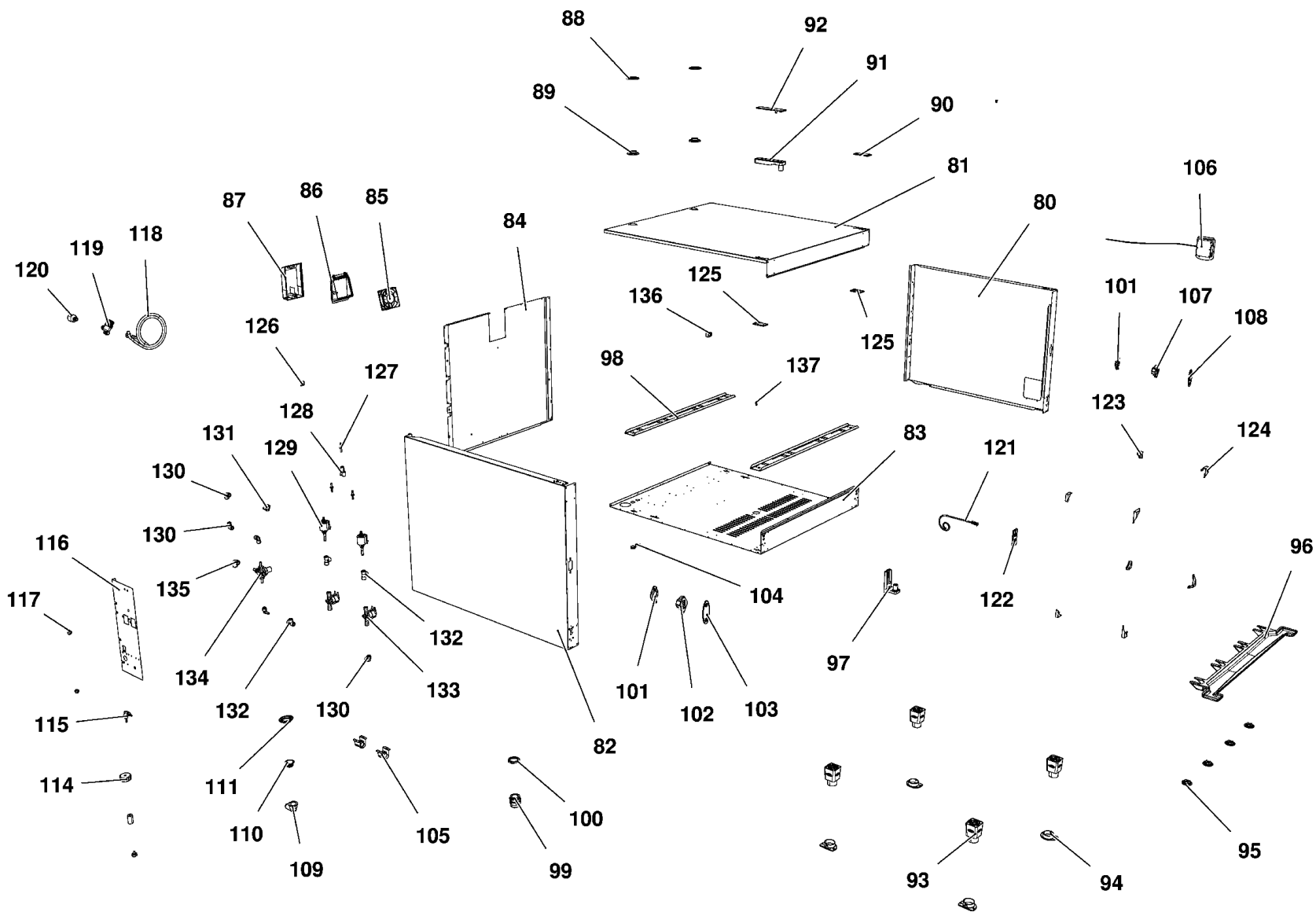
MOD:XVC1205EP



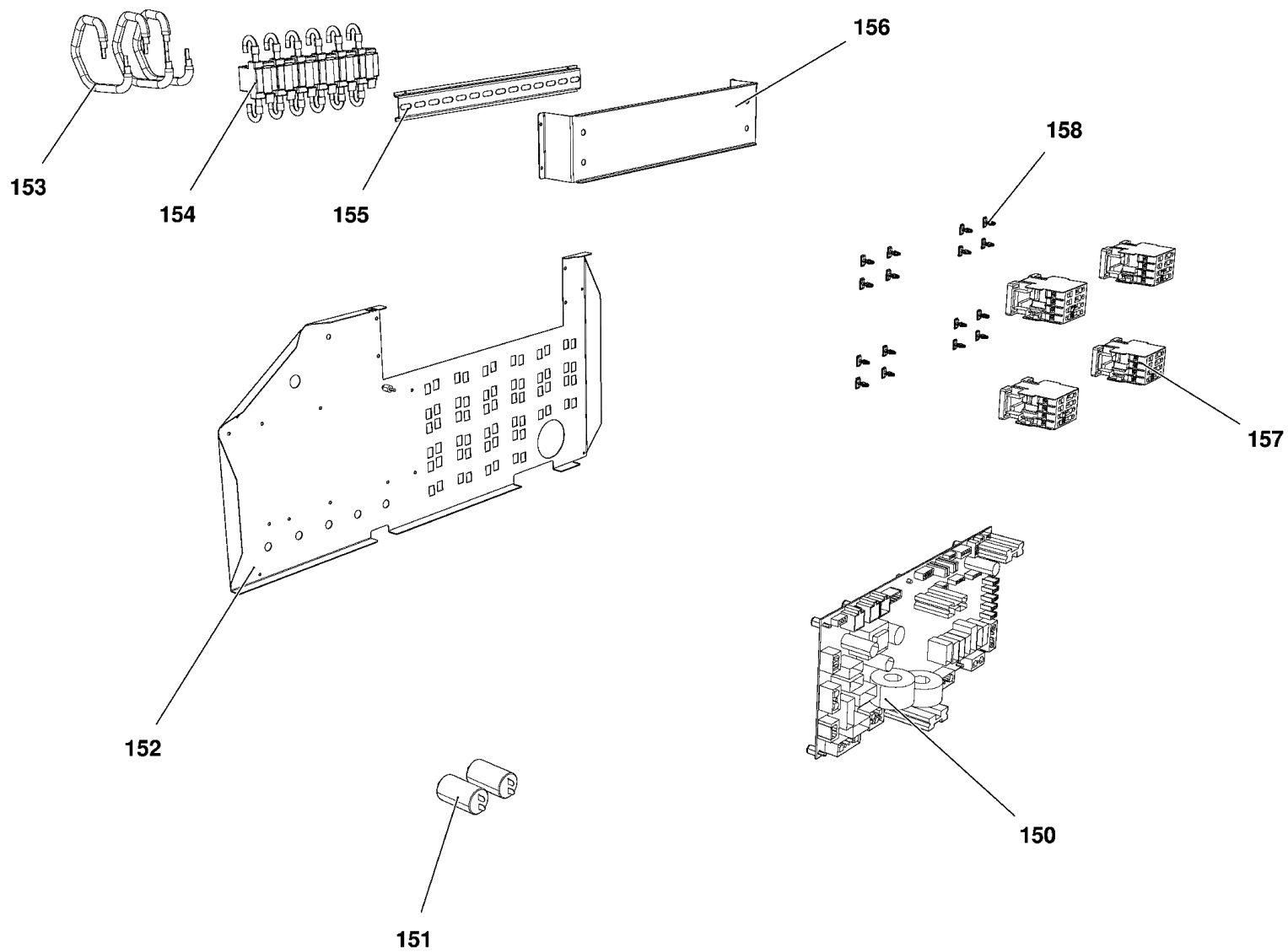
MOD:XVC1205EP



MOD:XVC1205EP



MOD:XVC1205EP



MOD:XVC1205EP



IT

Descrizione codici

1	VT1136B	VETRO ESTERNO SER. 757X743X4 CHIA
2	VT1135A	VETRO INTERNO 743X620X6 BETFL
3	TB2315A	COLONNINA DX XVC505E-XBC605E 50X5
4	TB1191A	COLONNINA SX XVC505 XBC605 50X50X
5	VM1617A	PROFILO SALVAGOC CIA 400/600/800
6	VM2014A	TUBO PER PROFILO RACCOGLI GOCCE S
7	TB1361A	LISTELLO SUP. BT S.5E 20X20X1
8	TB1362A	LISTELLO INF. BT S.5E 20X20X1
9	VM1171B	TAPPO FULCRO INF. PORTA XVC204/30
10	VM1510A	BOCCOLA SCANALATA PERNO PORTA XBC
11	VM1511A	BOCCOLA LISCIA PERNO PORTA CHEFFT
12	VM1170B	TAPPO FULCRO SUP. PORTA XVC204/30
13	CE1285A	FERRITE EMI ROUND MOD. 2643801502
14	CE1310A	CAVO COLLEGAMENTO POTENZA CONTROL
15	VM1680A	CERNIERA APERTURA VETRO INTERNO
16	GN1181A	GUARNIZIONE CERN VETRO INT CR1085
17	CR1086A	CERNIERA VETRO INT INOX INF
18	PE1740A	ASSIEME SCHEDE CONTROLLO PE1705
19	VM1145A	CORNICE CRUSCOTTO C.T.
20	CR1085A	CERNIERA VETRO INT INOX SUP
21	VM1175A	TAPPO ESTETICO COLONNINA PORTA
22	VM1180A	IMPUGNATURA MANIGLIA XVC204/304/5
23	VM2031A	PREMIVETRO ESTERNO
24	VM2043A	SUPPORTO VETRO SUP - INF
25	VM2042A	ASSIEME CHIUSURA VETRO INTERNO LA
26	LP1002B	BARRA ILLUMINAZIONE LED L400
27	VM2044A	TAPPO PER PROFILO RACCOGLI GOCCE
28	CE1290A	MORSETTO FEMMINA ESTRAIBILE CPF 5
29	VM1490A	COPRI VITI MANIGLIA CHEFTOP BAKER
40	OG1485A	CARTER ARIA XVC SERIE 1200E
41	GN1342B	GN1000B-GUARNIZIONE PORTA XBC604-

42	TB2278A	TUBO INT. UMIDITA' 2 MOTORI Ø16X1
43	TB2277A	TUBO INT. UMIDITA' 2 MOTORI Ø16X1
44	OH2551A	TAPPO PER TUBO DI SCARICO LIQUIDI
45	GRL1299A	SUPPORTO LATERALE SX 6 TG GN2/1
46	GRL1298A	SUPPORTO LATERALE DX 6 TG GN2/1
47	TB1956A	TB1520A-TUBO NERO EPDM L=50
48	RC1378A	FASCETTA STRINGI TUBO ZINCATA
50	OH4851A	STAFFA SUPPORTO CABLAGGI STD
51	OH3586A	LAMIERA PROTEZIONE MOTORE ZINCATO
52	VN1130A	MOTORE FORNO 330W 230V 50/60HZ
53	VN1030A	VENTOLA D196 H81 39 PALE DADO M8
54	RS1180A	RES. CIRCOLARE 9000W 230V 6 SPIRE
55	GN1086A	GUARNIZIONE RESISTENZA 141X22 G8.
56	RS1215A	RES. PIANA 147W 105V D230 1 SPIRA
57	GN1326A	GUARNIZIONE RESISTENZA 71X19 G6.2
58	SN1002A	SONDA AL CUORE MULTIPUNTO L=2050
62	TB1515A	TUBO EST. UMIDITA' + RC1165A0
63	VM1465A	COPERCHIO Sonda TEMPERATURA CHEFT
64	GN1285A	GUARNIZIONE Sonda DI TEMPERATURA
65	TR1106A	SONDA TERATURA PT100 L2000
66	RC1310A	FASCETTA RICHO 140X4 CON CLIP
67	VM1610A	CLIP TWIST LOCK DIAM. 7,6-10,2 MM
68	OH4305A	DISCO TENUTA ALBERO MOTORE INOX S
69	GN1140A	GUARNIZIONE PORTAMOTORE STAMP.
70	EL1020A	RACCORDO INTERMEDIO "T" TUBO Ø8
71	EL1361A	ELETTROVALVOLA TRI-STADIO JG D8-D
72	EL1055A	RIDUZIONE INTERMEDIA D10-D8
73	VE1135A	ATTUATORE VENTURI 220V 50/60 HZ S
74	VM1955A	CORPO GIRANTE LAVAGGIO
75	PE1710A	SENSORE NUMERO GIRI MOTORE
76	VM1635A	DISCO SUPPORTO MAGNETE

80	OD2163A	FIANCO DX XVC SERIE 1200E
81	OD2168A	COPERCHIO XVC1205E-2005E
82	OD2164A	FIANCO SX XVC SERIE 1200E
83	OE1316A	FONDO ESTERNO XVC1205E-2005E
84	OF1445A	SCHIENA XVC SERIE 1205E
85	VN1120B	VENTOLA RAFFREDDAMENTO 12V CABLAT
86	VM1555A	SUPPORTO VENTOLA RAFFREDDAMENTO C
87	VM1556A	PROTEZIONE VENTOLA RAFFREDDAMENTO
88	OH3790A	LAMIERA TENUTA CAMINO
89	GN1275A	GUARNIZIONE CAMINO SILICONE NERO
90	VM1195A	PIASTRINA COPRIFORI XVC204/304/50
91	VM1165B	STAFFA SUPERIORE PORTA CT BT
92	VM1166A	COPERCHIO STAFFA SUPERIORE PORTA
93	PD1066B	PIEDE H100 PLASTICA BICOMPONENTE
94	PD1063A	STAFFA BLOCCAGGIO PIEDE CT BT
95	VM1220A	CLIP FISSAGGIO CASSETTO RACCOGLIG
96	VM1992A	CASSETTO RACCOGLI GOCCE 860
97	VM1160B	STAFFA INFERIORE PORTA CT BT
98	OH6395A	LONGHERONE BT S.5-E
99	VE1345A	PRESSACAVO IP67 PG42
100	VE1350A	DADO PER PRESSACAVO PG42
101	VM1192A	COPERCHIO SCROCCO MANIGLIA CT BT
102	VM1191A	SCROCCO MANIGLIA SX CT BT
103	VM1461A	COPERCHIO SX SCROCCO PORTA XBC/XV
104	VM1505A	PASSAPARETE CON DIAFRAMMA
105	VM2035A	SUPPORTO PER TUBO DI SCARICO
106	PE1971A	ASSIEME RIARMO RI45
107	VM1190A	SCROCCO MANIGLIA DX CT BT
108	VM1460A	COPERCHIO DX SCROCCO PORTA XBC/XV
109	VL1026A	CURVA PER TUBO DI SCARICO
110	GN1400A	GUARNIZIONE SIFONE

111	VM2039A	ANELLO FISSAGGIO CURVA DI SCARICO
114	VL1041A	TAPPO DETERGENTE
115	RC1373A	RACCORDO GOMITO Ø6F-Ø6F
116	OH6441A	SUPPORTO IMPIANTO IDRICO DOPPIO V
117	VM1630A	TAPPO PREMI VETRO INTERNO
118	TB1980A	TB1815A-ALLACCIAMENTO FORNI ALLA
119	VL1034A	FILTRO ACQUA Ø10 MESH100
120	RC1365A	RACCORDO JG FEMMINA 3/4"-10
121	VE1020A	MICROINTERRUTTORE PORTA MAGNETICO
122	VM1201A	PIASTRINA SUPPORTO MICROPORTA MAG
123	VM1008A	ANGOLARE INT. SUPPORTO GUARNIZION
124	OH1450A	ANGOLO FACCIATA MUFFOLA INOX XB-X
125	OH2560A	CONTROSTAFFA ZINCATA PORTA C.T.
126	VM1750A	MORSETTIERA A PETTINE
127	VL1043A	PORTAGOMMA D4-CODOLO D6
128	RC1376A	RACCORDO Y Ø6
129	VL1038A	POMPA VIBRAZIONE
130	EL1185B	RACCORDO GOMITO D8F-D8F
131	EL1195B	RACCORDO GOMITO D8F-D8M
132	EL1020A	RACCORDO INTERMEDIO "T" TUBO Ø8
133	EL1411A	ELETTROVALVOLA H2O CON CHECK VALV
134	VL1042A	RIDUTTORE PRESSIONE CON DISTRIBUT
135	RC1360A	RACCORDO GOMITO JG 10-10
136	VM1810A	TAPPO TENUTA ACQUA DX
137	VM1240A	TAPPO NYLON SUPPORTO CONTROSTAFFA
150	PE1725D	SCHEDE POTENZA FORNI CT-BT S5.E
151	VE1110A	CONDENSATORE 6,3 7F 450VAC 50/60
152	OH6450A	PROFILO PORTA COMPONENTI CT S.5E
153	CE1770A	CAVO UNIPOLARE 16 MMQ L=280 TERMI
154	CE1420A	MORSETTIERA UNIPOLARE 8 VIE Z16-8
155	OH1852A	BARRA OMEGA PORTA 6 TELERUTTORI P

156	OH6421A	LAMIERA SUPPORTO MORSETTIERA
157	VE1095A	TELERUTTORE GE 25A 230V 50/60
158	VM1075A	CLIP DI FISSAGGIO PER TELERUTTORI

MOD:XVC1205EP



EN

Codes descriptions

1	VT1136B	EXT. GLASS SILKSCREENED 757X743X4
2	VT1135A	INTERNAL GLASS 743X620X6 XBC604
3	TB2315A	XVC505E-XBC605E RIGHT DOOR COLUMN
4	TB1191A	XVC505 XBC605 ST. STEEL LEFT DOOR
5	VM1617A	400/600/800 DRIP PROFILE
6	VM2014A	LEFT DRIP PROFILE PIPE
7	TB1361A	S. E BAKERTOP DOOR UPPER LISTEL
8	TB1362A	S. E BAKERTOP DOOR LOWER LISTEL
9	VM1171B	XVC204/304/504/70 DOOR LOWER FULC
10	VM1510A	XBC/XVC GROOVED DOOR PIN BUSHING
11	VM1511A	XBC/XVC SLEEK DOOR PIN BUSHING
12	VM1170B	DOOR UPPER FULCRUM-CAP XVC204/304
13	CE1285A	EMI ROUND FERRITE MOD.2643801502
14	CE1310A	POWER - CONTROL BOARD CONNECTING
15	VM1680A	INTERNAL GLASS HINGE
16	GN1181A	CR1085-1086 INTERNAL GLASS HINGE
17	CR1086A	INTERNAL GLASS LOWER HINGE
18	PE1740A	CONTROL BOARD PE1705 + BOARD COVE
19	VM1145A	C.T. BOARD FRAME
20	CR1085A	INTERNAL GLASS UPPER HINGE
21	VM1175A	DOOR COLUMN BLANKING CAP XVC204/3
22	VM1180A	HANDLE HAFT XVC204/304/504/704
23	VM2031A	EXTERNAL GLASS PUSHING PLATE
24	VM2043A	UPPER - LOWER GLASS SUPPORT
25	VM2042A	INTERNAL LATERAL GLASS LOCKING SY
26	LP1002B	LED LIGHTING BAR L400
27	VM2044A	DRIP PROFILE CAP
28	CE1290A	EXTRACTABLE FEMALE TERMINAL CPF 5
29	VM1490A	CHEFTOP/BAKERTOP HANDLE SCREWS CO
40	OG1485A	XVC1205E-1215E FAN GUARD
41	GN1342B	DOOR GASKET GN1000B FOR XBC604-60

42	TB2278A	2 MOTORS INTERNAL WATER PIPE Ø16X
43	TB2277A	2 MOTORS INTERNAL WATER PIPE Ø16X
44	OH2551A	XBC/XVC ST.STEEL DRAIN COVER
45	GRL1299A	6 TRAYS GN2/1 LEFT LATERAL SUPPOR
46	GRL1298A	6 TRAYS GN2/1 RIGHT LATERAL SUPPO
47	TB1956A	TB1520A - EPDM BLACK PIPE L=50
48	RC1378A	HOSE CLAMP
50	OH4851A	BRACKET SUPPORT WIRING HARNESS ST
51	OH3586A	ZINCATE MOTOR GUARD PLATE XBC-XVC
52	VN1130A	330W 230V 50/60HZ MOTOR
53	VN1030A	MOTOR FAN D196 H81 39 BLADE NUT M
54	RS1180A	9000W 230V 6 TURNS HEATING ELEMEN
55	GN1086A	ELEMENT SEALING
56	RS1215A	147W 105V D230 1 TURN FLAT ELEMEN
57	GN1326A	ELEMENT SEALING
58	SN1002A	CORE PROBE MULTIPOINT L=2050
62	TB1515A	EXTERNAL WATER PIPE + RC1165A0
63	VM1465A	CHEFTOP TEMPERATURE PROBE COVER
64	GN1285A	NTC TEMPERATURE PROBE SEALING
65	TR1106A	INTERIOR CABINET PROBE
66	RC1310A	140X4 CLAMP WITH CLIP
67	VM1610A	CLIP TWIST LOCK DIAM. 7,6-10,2 MM
68	OH4305A	ST. STEEL MOTOR SHAFT SEALING DIS
69	GN1140A	MOLDED MOTOR SUPPORT GASKET
70	EL1020A	INTERMEDIATE "T" CONNECTION Ø8
71	EL1361A	J.G. THREE-STAGE SOLENOID VALVE D
72	EL1055A	INTERMEDIATE REDUCTION FROM D=10
73	VE1135A	VENTURI ACTUATOR 220 V 50/60 HZ S
74	VM1955A	WASHING SYSTEM ROTOR
75	PE1710A	MOTOR REVOLUTIONS SENSOR
76	VM1635A	MAGNET HOLDING DISC

80	OD2163A	XVC1205E-1215E EXTERNAL RIGHT PAN
81	OD2168A	XVC1205E-2005E COVER
82	OD2164A	XVC1205E-1215E EXTERNAL LEFT PANE
83	OE1316A	XVC1205E-2005E EXTERNAL BOTTOM PA
84	OF1445A	XVC1205E-1215E EXTERNAL BACK PANE
85	VN1120B	12V COOLING DOWN FAN
86	VM1555A	CT BT COOLING DOWN FAN SUPPORT
87	VM1556A	XBC-XVC COOLING FAN GUARD
88	OH3790A	CHIMNEY HOLDING PLATE
89	GN1275A	BLACK SILICON XBC/XVC CHIMNEY SEA
90	VM1195A	HOLES BLANKING PLATE XVC204/304/5
91	VM1165B	CT BT DOOR UPPER BRACHET
92	VM1166A	CAP FOR DOOR UPPER STIRRUP XVC204
93	PD1066B	BI-COMPONENT FOOT H100
94	PD1063A	CT BT FOOT BLOCKING BRACKET
95	VM1220A	CLIP TO FIX DRIP TRAY C.T.
96	VM1992A	DRIP TRAY
97	VM1160B	CT BT DOOR LOWER BRACKET
98	OH6395A	S. 5-E BAKERTOP FEET BRACKET
99	VE1345A	IP67 PG42 CABLE CLIP
100	VE1350A	NUT FOR CABLE CLIP
101	VM1192A	CT BT RIGHT DOOR SPRING LATCH COV
102	VM1191A	CT BT LEFT DOOR SPRING LATCH
103	VM1461A	XBC/XVC LEFT DOOR LATCH CAP
104	VM1505A	WALL PASSING WITH DIAPHRAGM
105	VM2035A	DRAIN PIPE SUPPORT
106	PE1971A	RJ45 CONNECTION + RESET POINT
107	VM1190A	CT BT RIGHT DOOR SPRING LATCH
108	VM1460A	XBC/XVC RIGHT DOOR LATCH CAP
109	VL1026A	DRAIN PIPE CURVE
110	GN1400A	U-TRAP SEAL

111	VM2039A	DRAIN CURVE FIXING RING
114	VL1041A	DETERGENT CAP
115	RC1373A	Ø6F-Ø6F ELBOW FITTING
116	OH6441A	DOUBLE VERTICAL WATER SUPPLY SUPP
117	VM1630A	INTERNAL GLASS PUSHING CAP
118	TB1980A	TB1815A-ALLACCIAMENTO FORNI ALLA
119	VL1034A	Ø10 MESH100 WATER FILTER
120	RC1365A	3/4"-10 JG FEMALE CONNECTION
121	VE1020A	MAGNETIC DOOR MICROSWITCH
122	VM1201A	MAGNETIC SUPPORT PLATE FOR DOOR M
123	VM1008A	GASKET SUPPORT INTERNAL CORNER
124	OH1450A	XB-XV-XG ST. STEEL MUFFLE FRONT C
125	OH2560A	XBC/XVC ZINC PLAT. DOOR COUNTERBR
126	VM1750A	TERMINAL BOARD
127	VL1043A	D4 PIPE HOLDER - D6 J.G. TERMINAL
128	RC1376A	Ø6 Y-FITTING
129	VL1038A	VIBRATION PUMP
130	EL1185B	D8F-D8F ELBOW FITTING
131	EL1195B	D8F-D8M ELBOW CONNECTION
132	EL1020A	INTERMEDIATE "T" CONNECTION Ø8
133	EL1411A	SOLENOID VALVE WITH CHECK VALVE
134	VL1042A	PRESSURE REDUCER WITH DISTRIBUTOR
135	RC1360A	10 - 10 JG ELBOW FITTING
136	VM1810A	WATER RIGHT CAP SEAL
137	VM1240A	NYLON SUPPORT CAP
150	PE1725D	E SERIES CHEFTOP-BAKERTOP POWER C
151	VE1110A	CONDENSER 6,3 7F 450VAC 50/60HZ
152	OH6450A	E SERIES COMPONENTS HOLDER PROFIL
153	CE1770A	UNIPOLAR CABLE 16 MMQ L=280
154	CE1420A	8 WAYS UNIPOLAR TERMINAL BOARD Z1
155	OH1852A	OMEGA BAR 6 CONTACTORS HOLDER PRO

156	OH6421A	PLATE TERMINAL BOARD SUPPORT
157	VE1095A	REMOTE CONTROL SWITCH GE 25A 230V
158	VM1075A	PLASTIC CLIP TO FIX CONTACTORS