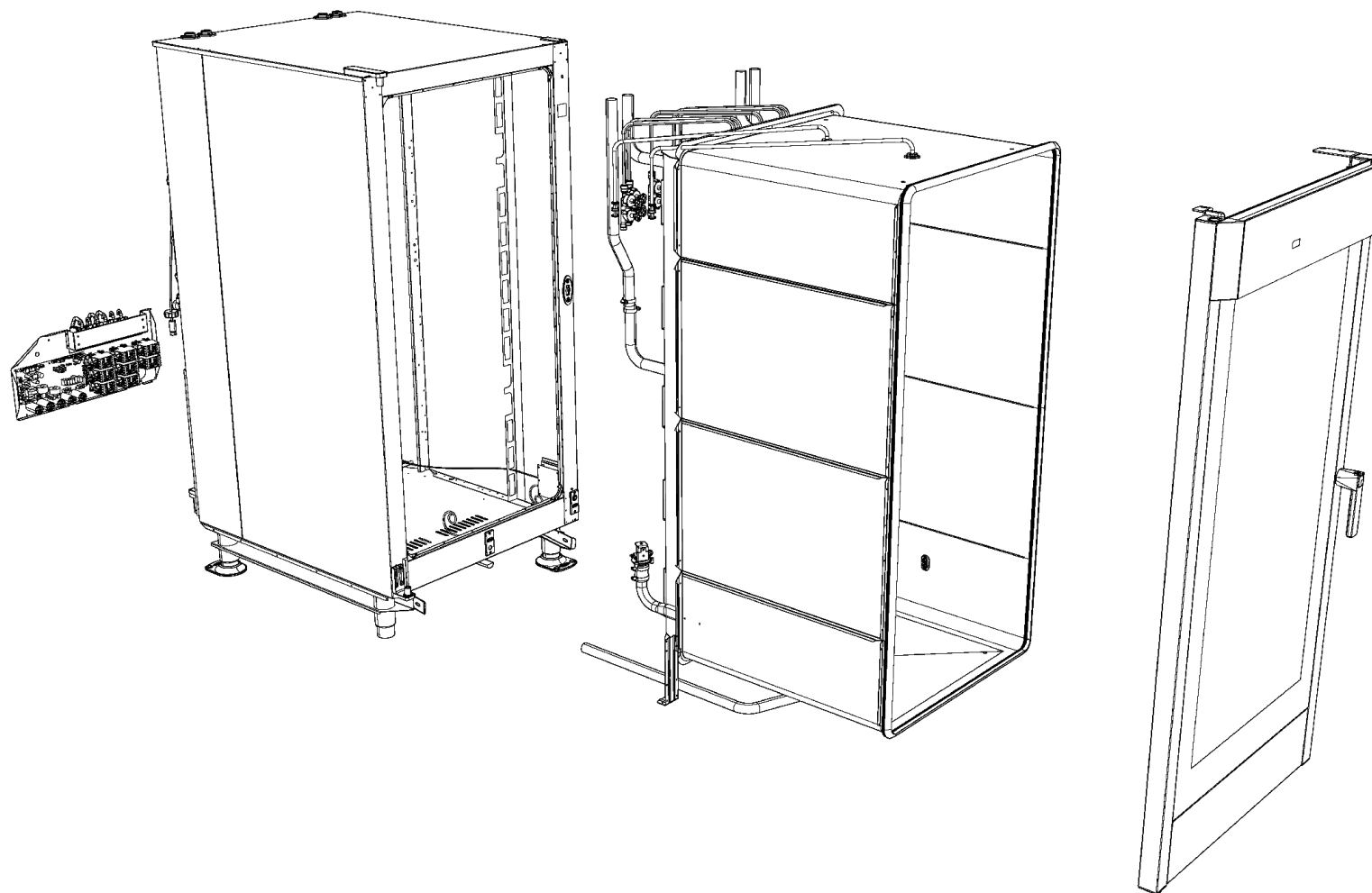
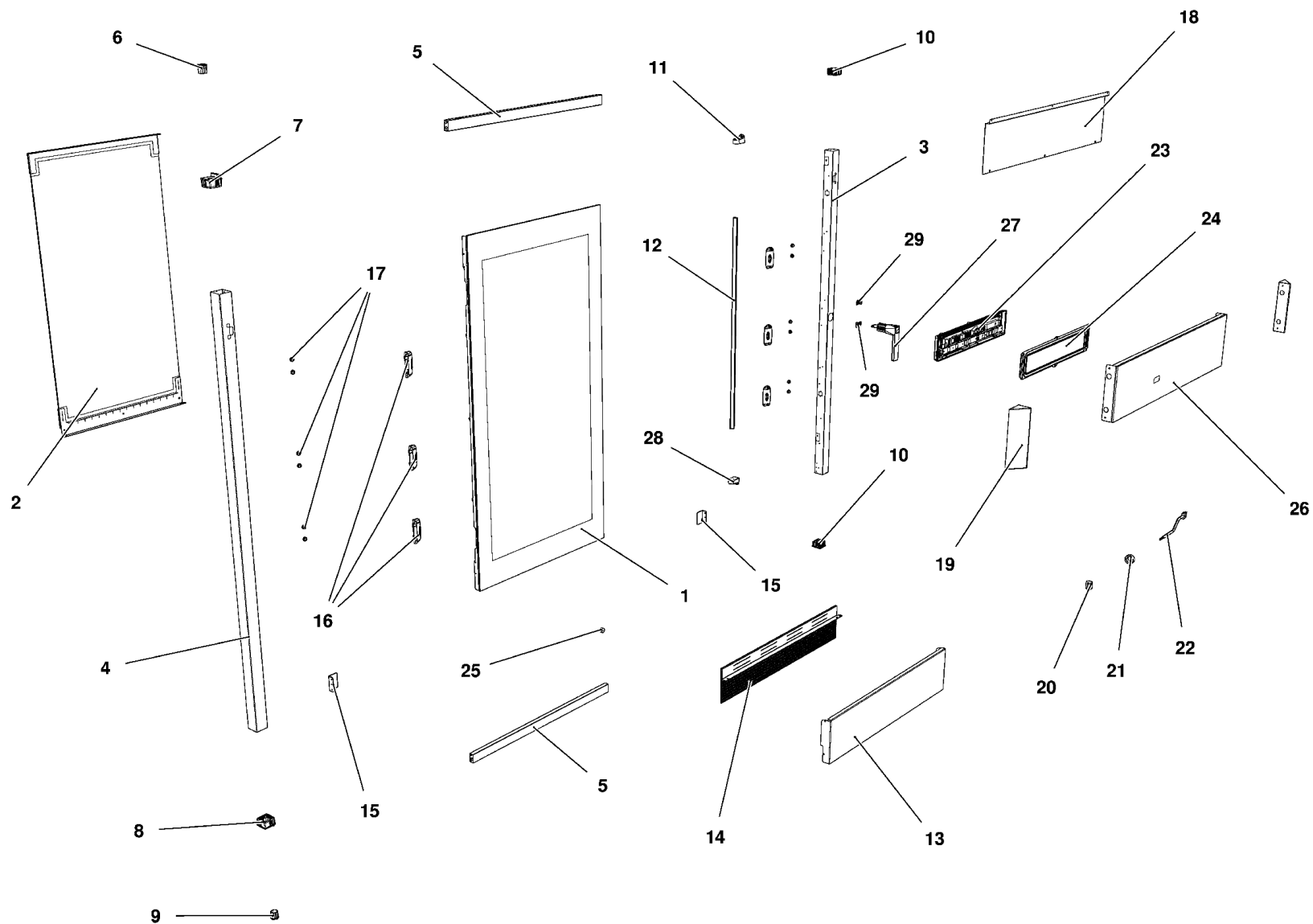


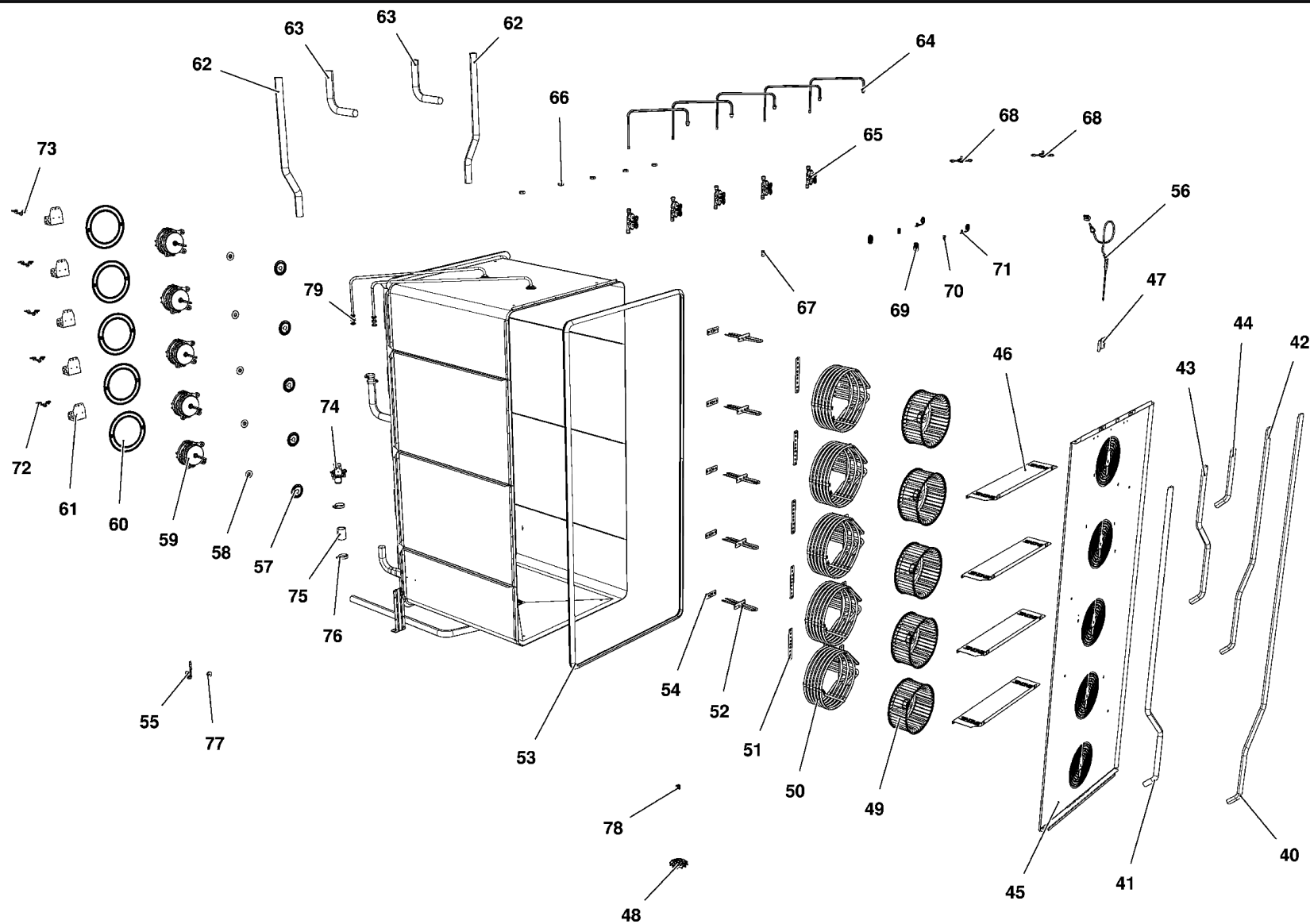
MOD:XVC4005EP



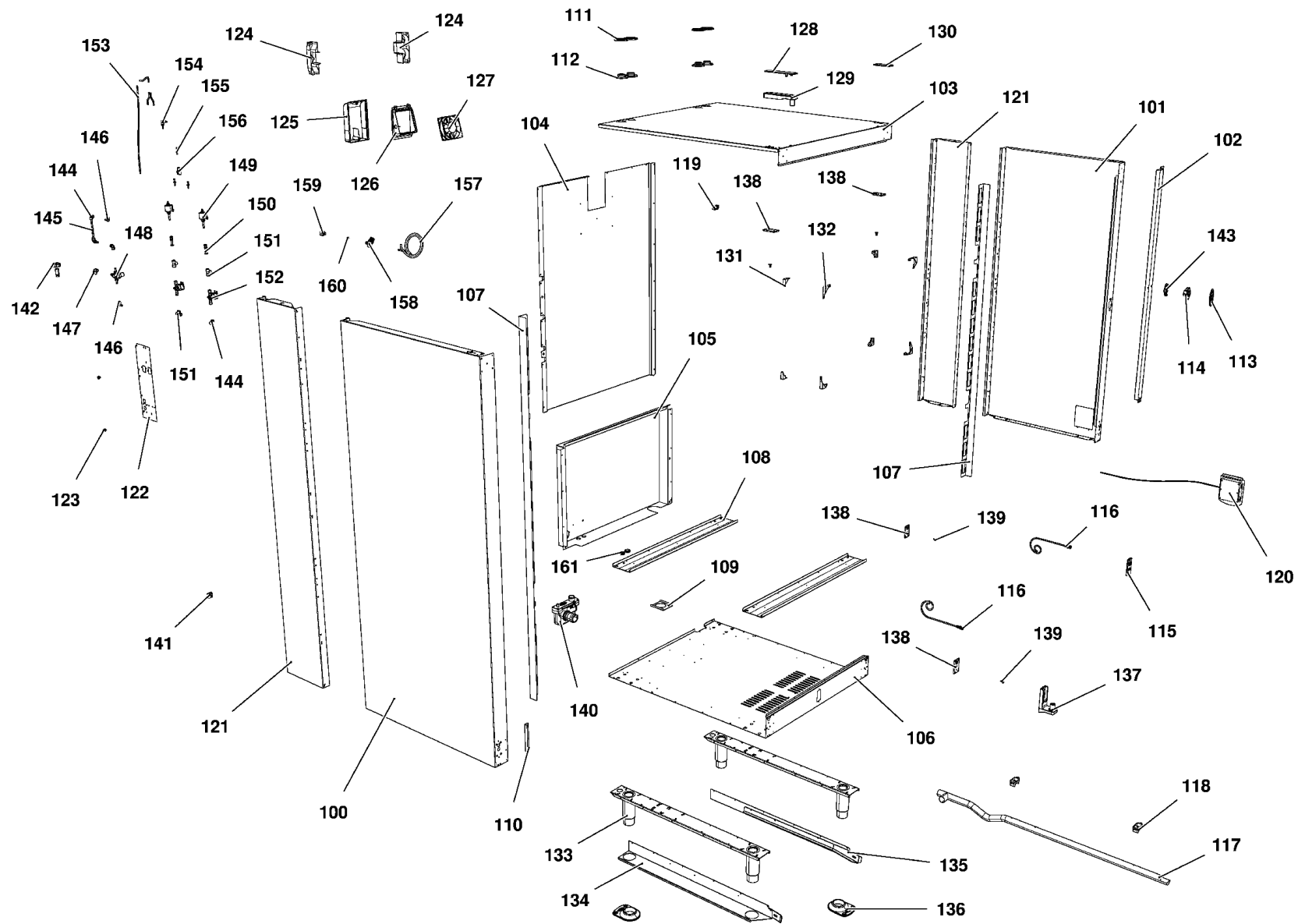
MOD:XVC4005EP



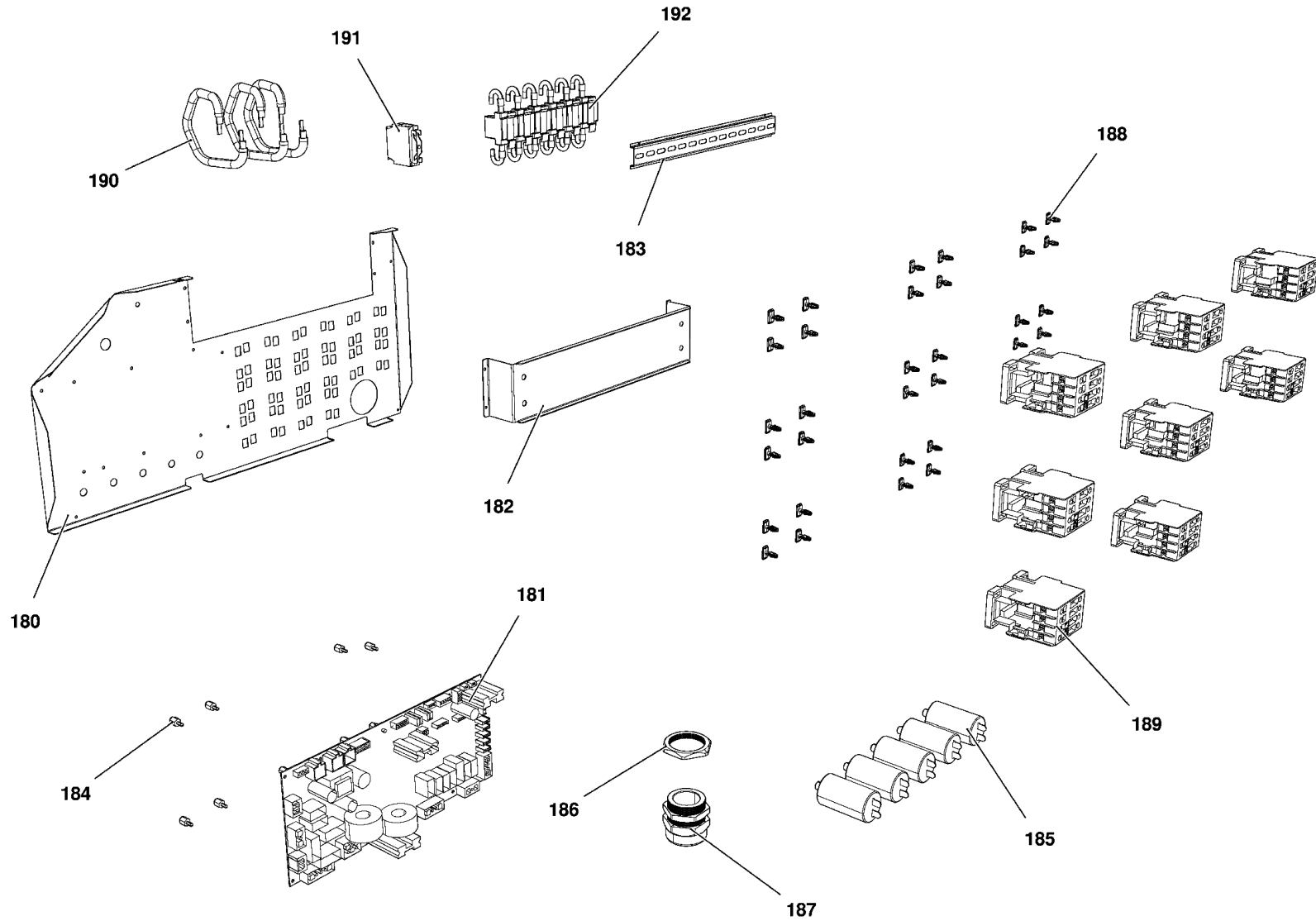
MOD:XVC4005EP



MOD:XVC4005EP



MOD:XVC4005EP



MOD:XVC4005EP



IT

Descrizione codici

1	VT1161A	VETRO ESTERNO SER. 757X1467X5
2	VT1160A	VETRO INTERNO SER. 730X1395X6
3	TB2335A	COLONNINA DX SERIE 1000/3200/4000
4	TB2336A	COLONNINA SX SERIE 1000/3200/4000
5	OH3170A	LIST. INF/SUP XVC1004/XBC1004 40X
6	VM1511A	BOCCOLA LISCIA PERNO PORTA CHEFFT
7	VM1170B	TAPPO FULCRO SUP. PORTA XVC204/30
8	VM1171B	TAPPO FULCRO INF. PORTA XVC204/30
9	VM1510A	BOCCOLA SCANALATA PERNO PORTA XBC
10	VM1175A	TAPPO ESTETICO COLONNINA PORTA
11	VM1620A	SUPPORTO INF BARRA LED
12	LP1004B	BARRA ILLUMINAZIONE LED L1000
13	OH6458A	PROFILO INFERIORE PORTA XVC1005E/
14	GN1348E	GUARNIZIONE PORTA-CARRELLO H140.3
15	OH6445A	LAMIERA CAMMA PORTA BIG S.5E
16	VM1591A	STAFFA SPINGIVETRO INTERNO XVC100
17	VM1630A	TAPPO PREMI VETRO INTERNO
18	OH4450A	LAMIERA CHIUSURA POST. CRUSCOTTO
19	TB1565B	COLONNA PER CONTROLLO 1004
20	CE1290A	MORSETTO FEMMINA ESTRAIBILE CPF 5
21	CE1285A	FERRITE EMI ROUND MOD. 2643801502
22	CE1310A	CAVO COLLEGAMENTO POTENZA CONTROL
23	PE1740A	ASSIEME SCHEDA CONTROLLO PE1705
24	VM1145A	CORNICE CRUSCOTTO C.T.
25	VE1030A	CALAMITA D=22,9MM PER MICROPORTA
26	VT1170B	VETRO CRUSCOTTO SER. 757X170X4 XV
27	VM1180A	IMPUGNATURA MANIGLIA XVC204/304/5
28	VM1621A	SUPPORTO SUP BARRA LED
29	VM1490A	COPRI VITI MANIGLIA CHEFTOP BAKER
40	TB2334A	TUBO INT. UMIDITA' DX Ø16X1
41	TB2333A	TUBO INT. UMIDITA' DX Ø16X1

42	TB2332A	TUBO INT. UMIDITA' DX Ø16X1
43	TB2331A	TUBO INT. UMIDITA' SX Ø16X1
44	TB2330A	TUBO INTERNO UMIDITA' CENT. Ø16X1
45	OG1499A	CARTER ARIA SERIE 4000
46	OG1396A	DISTANZIALE CARTER ARIA
47	OH6345A	PIASTRINA FORATA SUPP SONDA AL CU
48	OH2551A	TAPPO PER TUBO DI SCARICO LIQUIDI
49	VN1030A	VENTOLA D196 H81 39 PALE DADO M8
50	RS1180A	RESISTENZA 6 SPIRE 9 KW 230 V
51	GN1085A	GUARNIZIONE RESISTENZA 141X24 G6.
52	RS1215A	RESISTENZA 1 SPIRA 147 W 105 V
53	GN1392B	GN1000B-GUARNIZIONE PORTA XVC1005
54	GN1326A	GUARNIZIONE RES. 70X22X0.8
55	PE1710A	SENSORE NUMERO GIRI MOTORE
56	SN1002A	SONDA AL CUORE MULTIPUNTO L=2050
57	OH4305A	DISCO TENUTA ALBERO MOTORE INOX S
58	GN1140A	GUARNIZIONE PORTAMOTORE STAMP.
59	VN1130A	MOTORE FORNO 330W 230V 50/60HZ
60	OH3586A	LAMIERA PROTEZIONE MOTORE ZINCATO
61	OH4851A	STAFFA SUPPORTO CABLAGGI STD
62	TB1873A	TUBO CONVOGLIATORE FUMI SERIE 100
63	TB1913A	CAMINO FUMI INOX SERIE 1000-1200-
64	TB1515A	TUBO EST. UMIDITA' + RC1165A0
65	EL1361A	ELETTROVALVOLA TRI-STADIO JG D8-D
66	RC1170A	DADO M14 H=8 CH=22 INOX
67	EL1020A	RACCORDO INTERMEDIO "T" TUBO Ø8
68	VM1955A	CORPO GIRANTE LAVAGGIO
69	VM1465A	COPERCHIO SONDA TEMPERATURA CHEFT
70	GN1285A	GUARNIZIONE SONDA DI TEMPERATURA
71	TR1106A	SONDA TEMPERATURA PT100 L=2000
72	VM1610A	CLIP TWIST LOCK DIAM. 7,6-10,2 MM

73	RC1310A	FASCETTA RICHCO 140X4 CON CLIP
74	VE1135A	ATTUATORE VENTURI 220V 50/60 HZ S
75	TB1956A	TB1520A-TUBO NERO EPDM L=50
76	RC1378A	FASCETTA STRINGI TUBO ZINCATA
77	VM1635A	DISCO SUPPORTO MAGNETE
78	VM1820A	NOTTOLINO M6 CROMATO FISS. SUPPOR
79	EL1055A	RIDUZIONE INTERMEDIA D10-D8
100	OD2182A	FIANCO SX XVC1005/4005
101	OD2183A	FIANCO DX XVC1005/4005
102	OH3280A	LAMIERA REGGI SCROCCO INOX XVC100
103	OD2188A	COPERCHIO XVC3205/4005
104	OF1453A	SCHIENA SUPERIORE SERIE 1005E-400
105	OF1454A	SCHIENA INFERIORE SERIE 1005E-400
106	OE1320A	FONDO ESTERNO SERIE 3205/4005
107	OH3750A	LAMIERA INOX RINFORZO FIANCO XVC1
108	OH3290A	TRAVERSO RINFORZO FONDO INOX XVC1
109	OH6420A	LAMIERA SUPPORTO PRESSACAPO
110	OH3710A	PARATIA PROTEGGI STAFFA INOX
111	OH3790A	LAMIERA TENUTA CAMINO
112	GN1275A	GUARNIZIONE CAMINO SILICONE NERO
113	VM1455A	COPERCHIO PER SCROCCO FORNO XVC-X
114	VM1190A	SCROCCO MANIGLIA DX CT BT
115	VM1201A	PIASTRINA SUPPORTO MICROPORTA MAG
116	VE1020A	MICROINTERRUTTORE PORTA MAGNETICO
117	TB2353A	TUBO SCARICO ACQUA CARRELLATI
118	VM2036A	SUPPORTO TUBO SCARICO ACQUA
119	VM1810A	TAPPO TENUTA ACQUA DX
120	PE1971A	ASSIEME RIARMO RJ45
121	OH6500A	FIANCO POSTERIORE SX/DX SERIE 320
122	OH6441A	SUPPORTO IMPIANO IDRICO DOPPIO VE
123	VM1630A	TAPPO PREMI VETRO INTERNO

124	VM1924A	PROTEZIONE PER COVER VENTOLA
125	VM1556A	PROTEZIONE VENTOLA RAFFREDDAMENTO
126	VM1555A	SUPPORTO VENTOLA RAFFREDDAMENTO C
127	VN1120B	VENTOLA RAFFREDDAMENTO 12V
128	VM1166A	COPERCHIO STAFFA SUPERIORE PORTA
129	VM1165B	STAFFA SUPERIORE PORTA CT BT
130	VM1195A	PIASTRINA COPRIFORI XVC204/304/50
131	VM1008A	ANGOLARE INT. SUPPORTO GUARNIZION
132	OH1450A	ANGOLO FACCIATA MUFFOLA INOX XB-X
133	PD1030A	LONGHERONE PIEDINI 2" H147-190 GN
134	OH5047A	ASM GUIDE CARRELLO SX SERIE 4000
135	OH5046A	ASM GUIDE CARRELLO DX SERIE 4000
136	VM1014A	RING MOUNTING OVEN TO THE FLOOR
137	VM1160B	STAFFA INFERIORE PORTA CT BT
138	OH2560A	CONTROSTAFFA ZINCATA PORTA C.T.
139	VM1240A	TAPPO NYLON SUPPORTO CONTROSTAFFA
140	VL1005A	VASCA SIFONE
141	VM1750A	MORSETTIERA A PETTINE
142	VL1041A	TAPPO DETERGENTE
143	VM1192A	COPERCHIO SCROCCO MANIGLIA CT BT
144	EL1185B	RACCORDO GOMITO D8F-D8F
145	TB2304A	TUBO H2O LAVAGGIO DOPPIO
146	EL1195B	RACCORDO GOMITO D8F-D8M
147	RC1360A	RACCORDO GOMITO JG 10-10
148	VL1042A	RIDUTTORE PRESSIONE CON DISTRIBUT
149	VL1038A	POMPA VIBRAZIONE
150	EL1180A	RACCORDO NON RITORNO Ø8 Ø8 FEMMIN
151	EL1020A	RACCORDO INTERMEDIO "T" TUBO Ø8
152	EL1411A	ELETTROVALVOLA H2O CON CHECK VALV
153	TB2302A	TUBO DETERGENTE LAVAGGIO DOPPIO
154	RC1373A	RACCORDO GOMITO Ø6F-Ø6F

155	VL1043A	PORTAGOMMA D4-CODOLO D6
156	RC1376A	RACCORDO Y Ø6
157	TB2237A	TUBO Ø10 ALLACCIAMENTO RETE
158	VL1034A	FILTRO ACQUA Ø10 MESH100
159	RC1365A	RACCORDO JG FEMMINA 3/4"-10
160	GN1200A	GUARNIZIONE D=24 RACCORDO 3/4 GOM
161	VM1505A	PASSAPARETE CON DIAFRAMMA
180	OH6450A	PROFILO PORTA COMPONENTI CT S.5E
181	PE1725D	SCHEDA POTENZA FORNI CT-BT S5.E
182	OH6421A	LAMIERA SUPPORTO MORSETTIERA
183	OH1852A	BARRA OMEGA PORTA 6 TELERUTTORI P
184	VM1745A	SUPPORTO PER SCHEDA
185	VE1110A	CONDENSATORE 6,3 7F 450VAC 50/60
186	VE1350A	DADO PER PRESSACAPO PG42
187	VE1345A	PRESSACAPO IP67 PG42
188	VM1075A	CLIP DI FISSAGGIO PER TELERUTTORI
189	VE1095A	TELERUTTORE GE 25A 230V 50/60
190	CE1770A	CAVO UNIPOLARE 16 MMQ L=280 TERMI
191	MR1011A	MORSETTO DI TERRA UL 125A PER BAR
192	CE1420A	MORSETTIERA UNIPOLARE 8 VIE Z16-8

MOD:XVC4005EP



EN

Codes descriptions

1	VT1161A	SER. EXTERNAL GLASS 757X1467X5
2	VT1160A	SER. INTERNAL GLASS 730X1395X6
3	TB2335A	S.5E RIGHT DOOR COLUMN 1000/3200/
4	TB2336A	S.5E LEFT DOOR COLUMN 1000/3200/4
5	OH3170A	UPPER/LOWER DOOR LISTEL XVC1004/X
6	VM1511A	XBC/XVC SLEEK DOOR PIN BUSHING
7	VM1170B	DOOR UPPER FULCRUM-CAP XVC204/304
8	VM1171B	XVC204/304/504/70 DOOR LOWER FULC
9	VM1510A	XBC/XVC GROOVED DOOR PIN BUSHING
10	VM1175A	DOOR COLUMN BLANKING CAP XVC204/3
11	VM1620A	LED BAR LOWER SUPPORT
12	LP1004B	LEB LIGHTING BAR L1000
13	OH6458A	XVC1005E/XBC1005 LOWER DOOR PROFI
14	GN1348E	DOOR-TROLLEY SEALING E SERIES H14
15	OH6445A	E SERIES BIG OVENS CAM PLATE
16	VM1591A	GLASS BRACKET INT. XVC1004
17	VM1630A	INTERNAL GLASS PUSHING CAP
18	OH4450A	CLOSING PLATE BACK COVER
19	TB1565B	TERMINAL CONTROL PANEL
20	CE1290A	EXTRACTABLE FEMALE TERMINAL CPF 5
21	CE1285A	EMI ROUND FERRITE MOD.2643801502
22	CE1310A	POWER - CONTROL BOARD CONNECTING
23	PE1740A	CONTROL BOARD PE1705 + BOARD COVE
24	VM1145A	C.T. BOARD FRAME
25	VE1030A	MAGNET FOR DOOR MICROSWITCH D=22,
26	VT1170B	INSTRUMENT PANEL GLASS 757X170X4
27	VM1180A	HANDLE HAFT XVC204/304/504/704
28	VM1621A	LED BAR UPPER SUPPORT
29	VM1490A	CHEFTOP/BAKERTOP HANDLE SCREWS CO
40	TB2334A	INTERNAL RIGHT WATER PIPE Ø16X1
41	TB2333A	INTERNAL RIGHT WATER PIPE Ø16X1

42	TB2332A	INTERNAL RIGHT WATER PIPE Ø16X1
43	TB2331A	INTERNAL LEFT WATER PIPE Ø16X1
44	TB2330A	INTERNAL CENTRAL WATER PIPE Ø16X1
45	OG1499A	400 SERIES FAN GUARD
46	OG1396A	B.T. C.T. FAN GUARD SPACER
47	OH6345A	CORE PROBE SUPPORT PERFORATED PLA
48	OH2551A	XBC/XVC ST.STEEL DRAIN COVER
49	VN1030A	MOTOR FAN D196 H81 39 BLADE NUT M
50	RS1180A	6 TURNS CIRC. HEAT. ELEMENT 9 KW
51	GN1085A	HEATING ELEMENT GASKET 141X24 G6.
52	RS1215A	147 W 105 V 1 TURN HEATING ELEMEN
53	GN1392B	XVC1005-4005 DOOR GASKET GN1000B
54	GN1326A	ELEMENT SEALING 70X22X0.8
55	PE1710A	MOTOR REVOLUTIONS SENSOR
56	SN1002A	CORE PROBE MULTIPOINT L=2050
57	OH4305A	ST. STEEL MOTOR SHAFT SEALING DIS
58	GN1140A	MOLDED MOTOR SUPPORT GASKET
59	VN1130A	330W 230V 50/60HZ MOTOR
60	OH3586A	ZINCATE MOTOR GUARD PLATE XBC-XVC
61	OH4851A	BRACKET SUPPORT WIRING HARNESS ST
62	TB1873A	CONVEYOR FUME TUBE SERIES 1005 Ø3
63	TB1913A	1000/1200/2000/4000 S. EXHAUST CH
64	TB1515A	EXTERNAL WATER PIPE + RC1165A0
65	EL1361A	J.G. THREE-STAGE SOLENOID VALVE D
66	RC1170A	STAINLESS STEEL NUT M14 H=8 CH=22
67	EL1020A	INTERMEDIATE "T" CONNECTION Ø8
68	VM1955A	WASHING SYSTEM ROTOR
69	VM1465A	CHEFTOP TEMPERATURE PROBE COVER
70	GN1285A	NTC TEMPERATURE PROBE SEALING
71	TR1106A	CORE PROBE PT100 L=2000
72	VM1610A	CLIP TWIST LOCK DIAM. 7,6-10,2 MM

73	RC1310A	140X4 CLAMP WITH CLIP
74	VE1135A	VENTURI ACTUATOR 220 V 50/60 HZ S
75	TB1956A	TB1520A - EPDM BLACK PIPE L=50
76	RC1378A	HOSE CLAMP
77	VM1635A	MAGNET HOLDING DISC
78	VM1820A	LATERAL SUPPORTS M6 FIXING BOLTS
79	EL1055A	INTERMEDIATE REDUCTION FROM D=10
100	OD2182A	XVC1005/4005 LEFT SIDE EXTERNAL P
101	OD2183A	XVC1005/4005 RIGHT SIDE EXTERNAL
102	OH3280A	STAINLESS STEEL SPRING LATCH HOLD
103	OD2188A	XVC3205/4005 EXTERNAL COVER
104	OF1453A	1005E-4005E SERIES BACK UPPER EXT
105	OF1454A	1005E-4005E SERIES BACK LOWER PLA
106	OE1320A	3205/4005 SERIES EXTERNAL BOTTOM
107	OH3750A	INOX PLATE REINFORCEMENT SIDE XVC
108	OH3290A	TRAVERS REINFORCMENT BOTTOM XVC10
109	OH6420A	STAINLESS STEEL SIDE CABLE PRESS
110	OH3710A	STAINLESS STEEL BULKHEAD GUARD BR
111	OH3790A	CHIMNEY HOLDING PLATE
112	GN1275A	BLACK SILICON XBC/XVC CHIMNEY SEA
113	VM1455A	SPRING LATCH COVER XVC-XBC1004
114	VM1190A	CT BT RIGHT DOOR SPRING LATCH
115	VM1201A	MAGNETIC SUPPORT PLATE FOR DOOR M
116	VE1020A	MAGNETIC DOOR MICROSWITCH
117	TB2353A	TROLLEY OVENS WATER DRAIN PIPE
118	VM2036A	DRAIN WATER PIPE SUPPORT
119	VM1810A	WATER RIGHT CAP SEAL
120	PE1971A	RJ45 CONNECTION + RESET POINT
121	OH6500A	3200/4000 SERIES LEFT/RIGHT BACK
122	OH6441A	DOUBLE VERTICAL WATER SUPPLY SUPP
123	VM1630A	INTERNAL GLASS PUSHING CAP

124	VM1924A	FAN COVER GUARD
125	VM1556A	XBC-XVC COOLING FAN GUARD
126	VM1555A	CT BT COOLING DOWN FAN SUPPORT
127	VN1120B	12V COOLING DOWN FAN
128	VM1166A	CAP FOR DOOR UPPER STIRRUP XVC204
129	VM1165B	CT BT DOOR UPPER BRACHET
130	VM1195A	HOLES BLANKING PLATE XVC204/304/5
131	VM1008A	GASKET SUPPORT INTERNAL CORNER
132	OH1450A	XB-XV-XG ST. STEEL MUFFLE FRONT C
133	PD1030A	2" H147-190 GN2/1 FEET BRACKET
134	OH5047A	4000 SERIES LEFT TROLLEY GUIDE
135	OH5046A	4000 SERIES RIGHT TROLLEY GUIDE
136	VM1014A	RING MOUNTING OVEN TO THE FLOOR
137	VM1160B	CT BT DOOR LOWER BRACKET
138	OH2560A	XBC/XVC ZINC PLAT. DOOR COUNTERBR
139	VM1240A	NYLON SUPPORT CAP
140	VL1005A	U-TRAP TANK
141	VM1750A	TERMINAL BOARD
142	VL1041A	DETERGENT CAP
143	VM1192A	CT BT RIGHT DOOR SPRING LATCH COV
144	EL1185B	D8F-D8F ELBOW FITTING
145	TB2304A	DOUBLE WASHING SYSTEM H2O PIPE
146	EL1195B	D8F-D8M ELBOW CONNECTION
147	RC1360A	10 - 10 JG ELBOW FITTING
148	VL1042A	PRESSURE REDUCER WITH DISTRIBUTOR
149	VL1038A	VIBRATION PUMP
150	EL1180A	Ø8 Ø8 FEMALE NON-RETURN CONNECTIO
151	EL1020A	INTERMEDIATE "T" CONNECTION Ø8
152	EL1411A	SOLENOID VALVE WITH CHECK VALVE
153	TB2302A	DOUBLE WASHING SYSTEM DETERGENT P
154	RC1373A	Ø6F-Ø6F ELBOW FITTING

155	VL1043A	D4 PIPE HOLDER - D6 J.G. TERMINAL
156	RC1376A	Ø6 Y-FITTING
157	TB2237A	Ø10 WATER MAIN CONNECTION PIPE
158	VL1034A	Ø10 MESH100 WATER FILTER
159	RC1365A	3/4"-10 JG FEMALE CONNECTION
160	GN1200A	3/4 CONNECTION SEAL D=24 RUBBER+N
161	VM1505A	WALL PASSING WITH DIAPHRAGM
180	OH6450A	E SERIES COMPONENTS HOLDER PROFIL
181	PE1725D	E SERIES CHEFTOP-BAKERTOP POWER C
182	OH6421A	PLATE TERMINAL BOARD SUPPORT
183	OH1852A	OMEGA BAR 6 CONTACTORS HOLDER PRO
184	VM1745A	BOARD SUPPORT
185	VE1110A	CONDENSER 6,3 7F 450VAC 50/60HZ
186	VE1350A	NUT FOR CABLE CLIP
187	VE1345A	IP67 PG42 CABLE CLIP
188	VM1075A	PLASTIC CLIP TO FIX CONTACTORS
189	VE1095A	REMOTE CONTROL SWITCH GE 25A 230V
190	CE1770A	UNIPOLAR CABLE 16 MMQ L=280
191	MR1011A	UL 125A GROUND TERMINAL
192	CE1420A	8 WAYS UNIPOLAR TERMINAL BOARD Z1