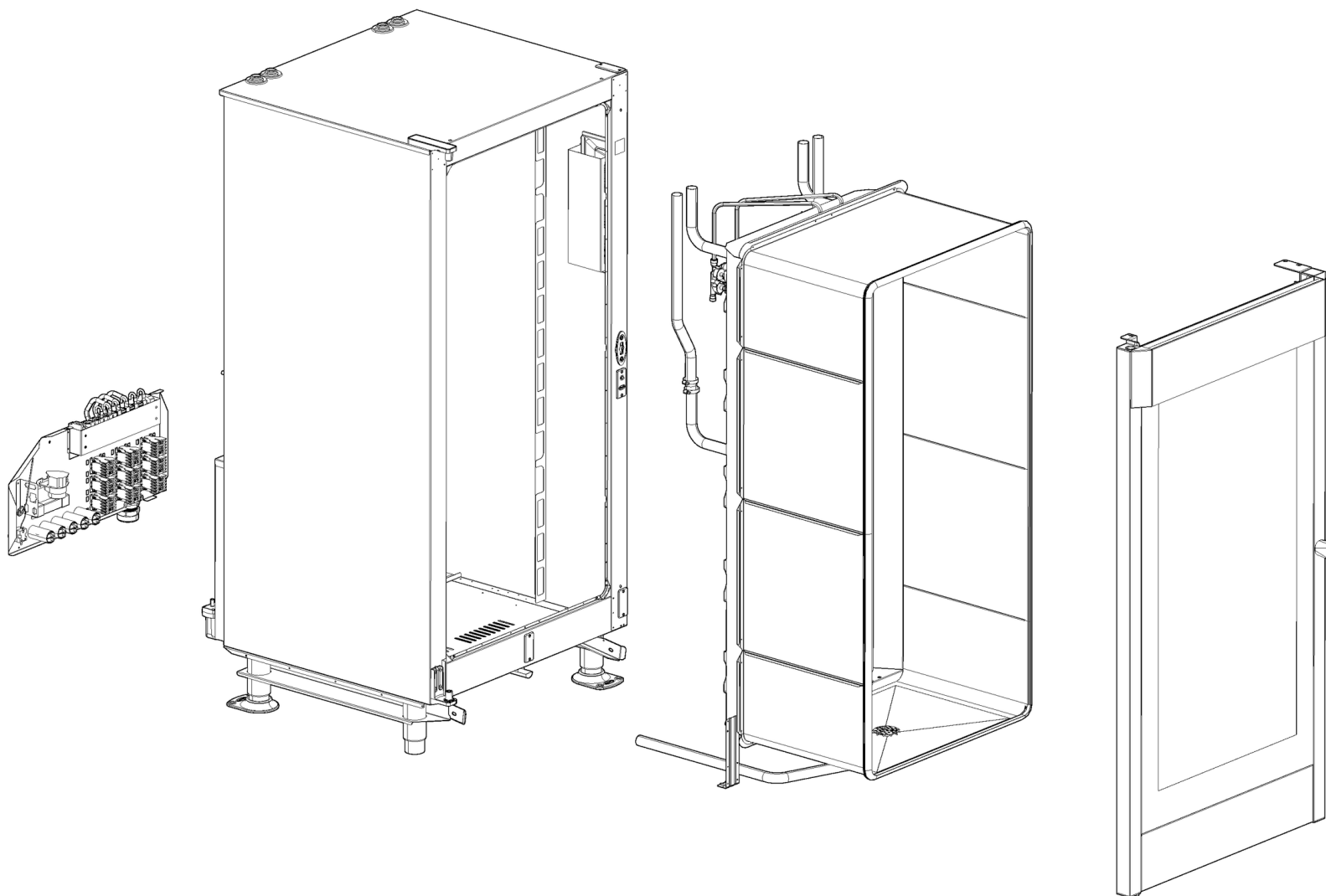
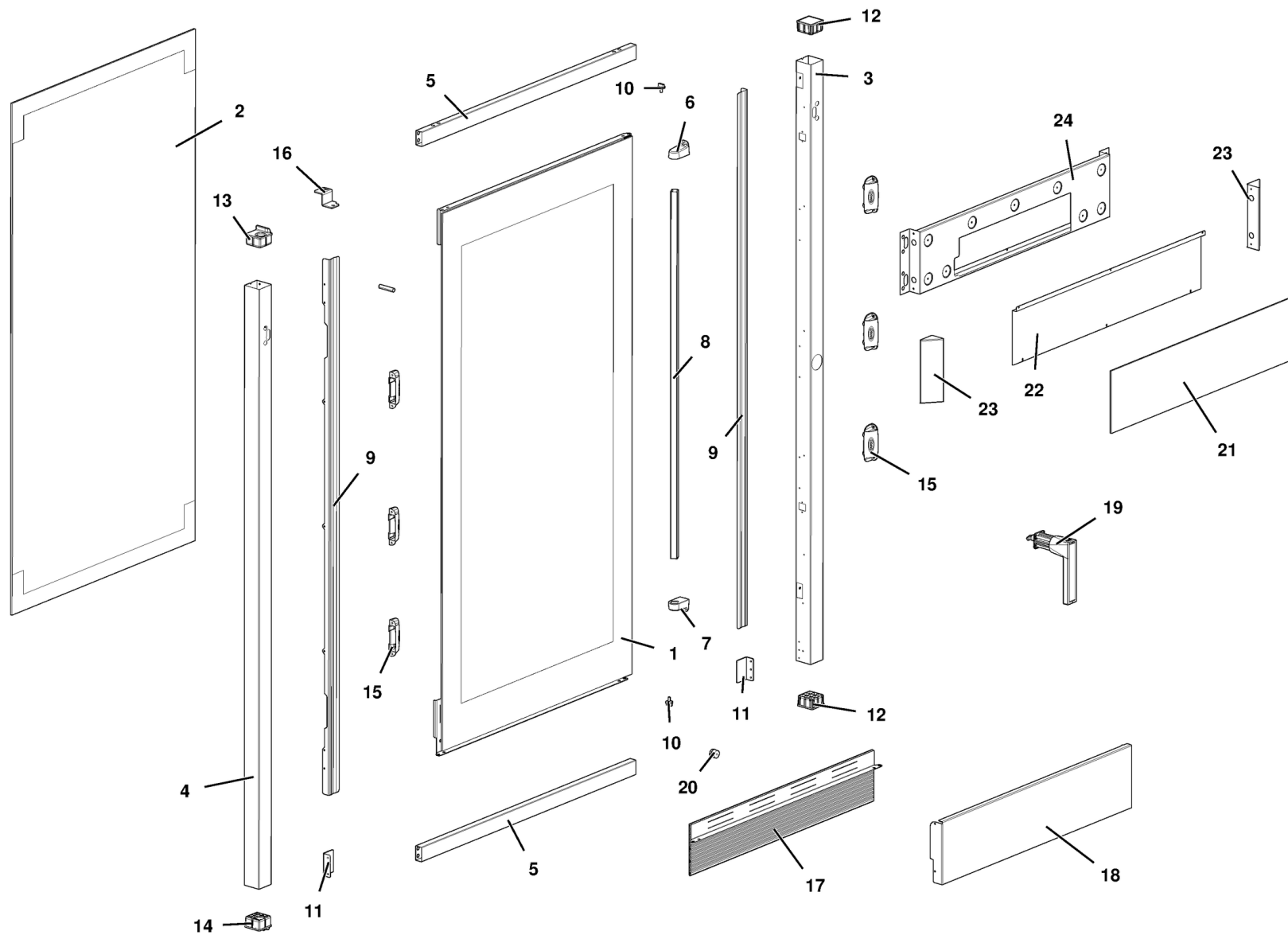


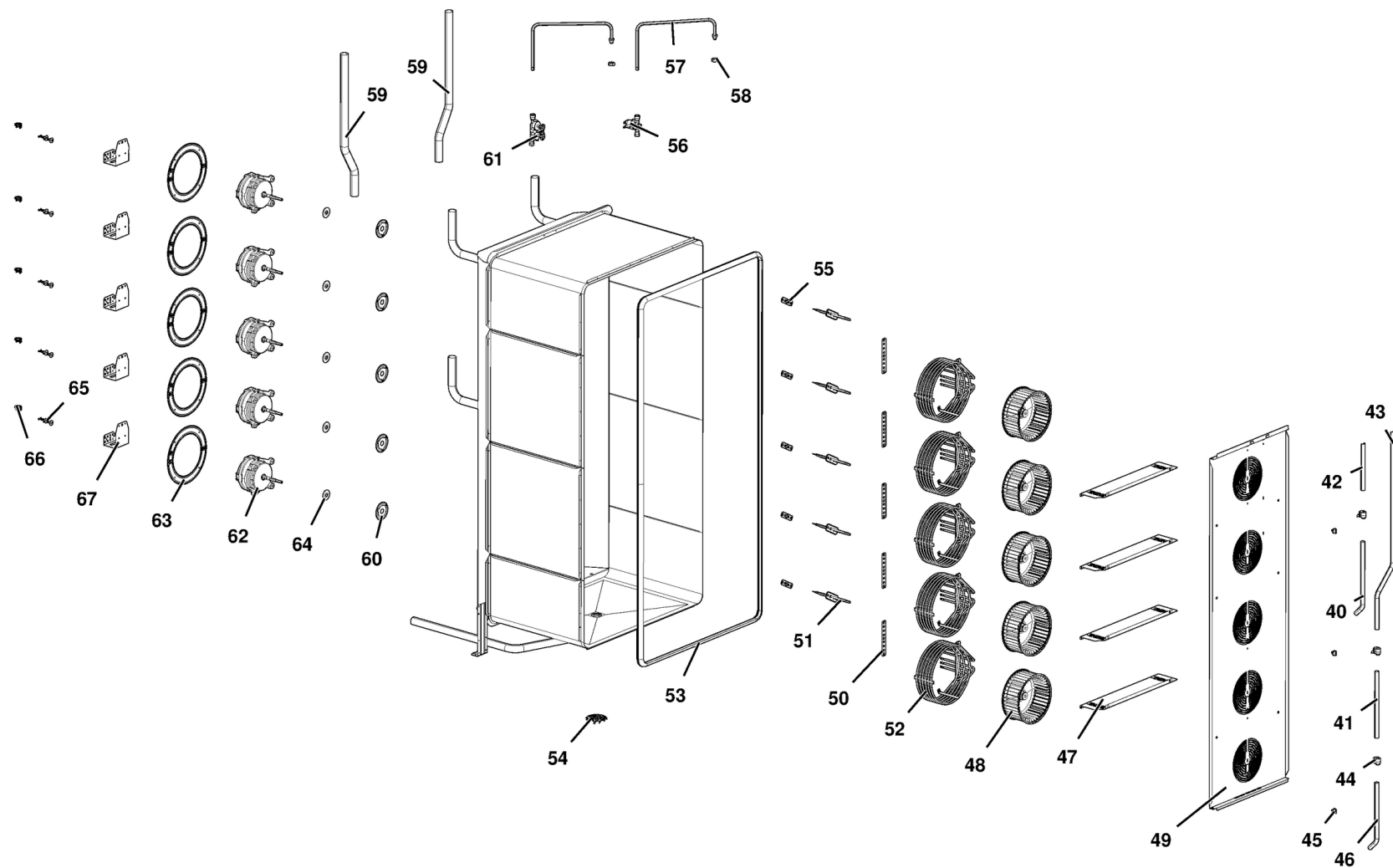
# MOD:XV1093



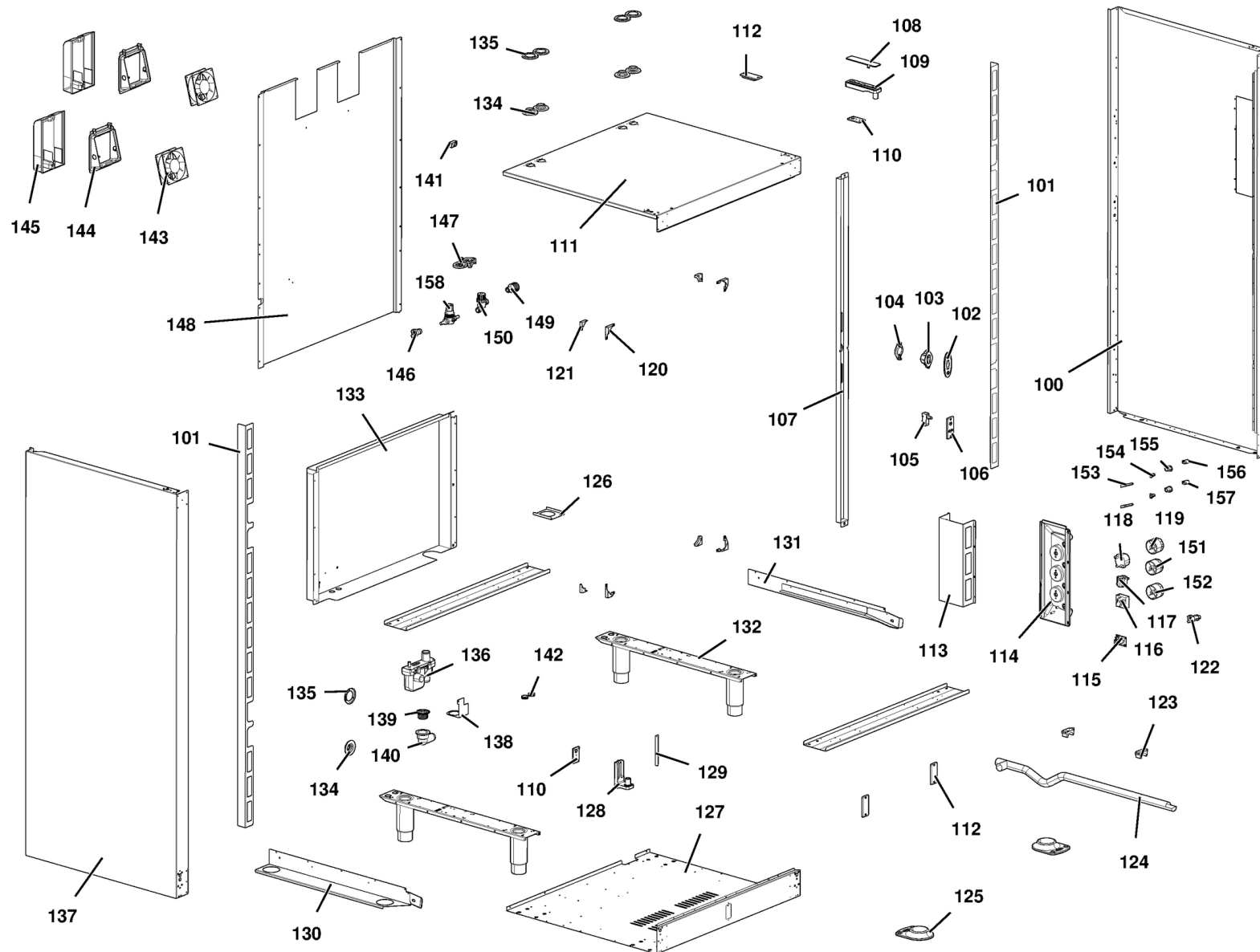
# MOD:XV1093



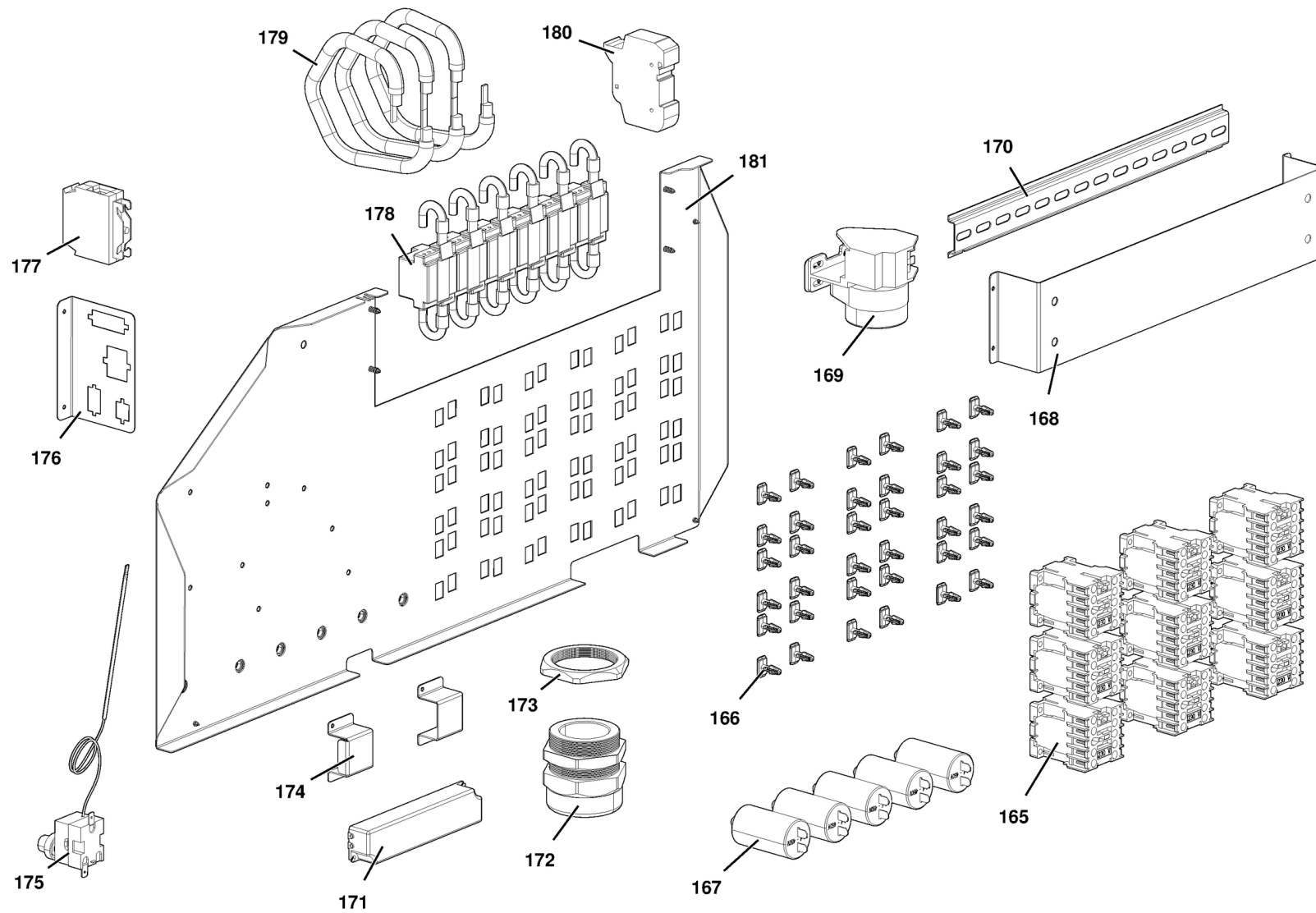
# MOD:XV1093



# MOD:XV1093



# MOD:XV1093



# MOD:XV1093



IT

## Descrizione codici

1	VT1161A	VETRO ESTERNO SER. 757X1467X5
2	VT1160A	VETRO INTERNO SER. 730X1395X6
3	TB2335A	COLONNINA DX SERIE 1000/3200/4000
4	TB2336A	COLONNINA SX SERIE 1000/3200/4000
5	OH3170A	LIST. INF/SUP XVC1004/XBC1004 40x
6	VM1620A	SUPPORTO INF BARRA LED
7	VM1621A	SUPPORTO SUP BARRA LED
8	LP1004B	BARRA ILLUMINAZIONE LED L1000
9	OH4952A	PROFILO INOX SUPPORTO VETRO EST.
10	VM1815A	NOTTOLINO M6 CROMATO FISS. GRIGLI
11	OH6445A	LAMIERA CAMMA PORTA BIG S.5E
12	VM1175A	TAPPO ESTETICO COLONNINA PORTA
13	VM1170B	TAPPO FULCRO SUP. PORTA XVC204/30
14	VM1171B	TAPPO FULCRO INF. PORTA XVC204/30
15	VM1591A	STAFFA SPINGIVETRO INTERNO XVC100
16	OH3428A	STAFFA SUP.PORTA SX SERIE 1000-40
17	GN1348E	GUARNIZIONE PORTA-CARRELLO GN1341
18	OH6458A	PROFILO INFERIORE PORTA XVC1005E/
19	VM1180B	IMPUGNATURA MANIGLIA CT BT
20	VE1030A	CALAMITA D=22,9mm PER MICROPORTA
21	VT1264A	VETRO NERO 1093-4093
22	OH4450A	LAMIERA CHIUSURA POST. CRUSCOTTO
23	OH6720A	FIANCHETTO CRUSCOTTO COMANDI
24	OH6900A	LAMIERA CRUSCOTTO SERIE 1093
40	TB2538A	TUBO INTERNO UMIDITA SERIE 1093
41	TB2540A	TUBO INTERNO UMIDITA SERIE 1093
42	TB2537A	TUBO INTERNO UMIDITA SERIE 1093
43	TB2536A	TUBO INTERNO UMIDITA SERIE 1093
44	VM2132A	DISTRIBUTORE SUP TUBI UMIDITA
45	VM1820A	NOTTOLINO M6 CROMATO FISS. SUPPOR
46	TB2539A	TUBO INTERNO UMIDITA SERIE 1093

47	OG1396A	DISTANZIALE CARTER ARIA
48	VN1030A	VENTOLA D196 H81 39 PALE DADO M8
49	OG1533A	CARTER ARIA SERIE 1093
50	GN1085A	GUARNIZIONE RESISTENZA 141x24 G6.
51	RS1215A	RES. PIANA 147W 105V D230 1 SPIRA
52	RS1205A	RES. CIRCOLARE 5600W 230V D230 6
53	GN1392C	GN1006A-GUARNIZIONE PORTA XVC1005
54	OH2551A	TAPPO PER TUBO DI SCARICO LIQUIDI
55	GN1326A	GUARNIZIONE RESISTENZA 71x19 G6.2
56	EL1252A	ELETTRORIVALVOLA H2O 1 VIA RID. VER
57	TB1515A	TUBO EST. UMIDITA' + RC1165A0
58	RC1170A	DADO M14 H=8 CH=22 INOX
59	TB1873A	TUBO CONVOGLIATORE FUMI SERIE 100
60	OH4305A	DISCO TENUTA ALBERO MOTORE INOX S
61	EL1361A	ELETTRORIVALVOLA TRI-STADIO JG D8-D
62	VN1130A	MOTORE FORNO 330W 230V 50/60HZ
63	OH6740A	LAMIERA PROTEZIONE MOTORE AISI-30
64	GN1140A	GUARNIZIONE PORTAMOTORE STAMP.
65	VM1610A	CLIP TWIST LOCK DIAM. 7,6-10,2 MM
66	RC1310A	FASCETTA RICHO 140X4 CON CLIP
67	OH6741A	STAFFA CABLAGGIO AISI-304
100	OD2228A	FIANCO DX XVC1005/4005 MECC
101	OH3750A	LAMIERA INOX RINFORZO FIANCO XVC1
102	VM1455A	COPERCHIO PER SCROCCO FORNO XVC-X
103	VM1190A	SCROCCO MANIGLIA DX CT BT
104	VM1192A	COPERCHIO SCROCCO MANIGLIA CT BT
105	VE1295A	MICROINTERRUTTORE PORTA MK 16A 23
106	VM1200A	PIASTRINA SUPPORTO MICROPORTA MEC
107	OH3280A	LAMIERA REGGI SROCCO XVC1004 XBC1
108	VM1166A	COPERCHIO STAFFA SUPERIORE PORTA
109	VM1165B	STAFFA SUPERIORE PORTA CT BT

110	OH2560A	CONTROSTAFFA ZINCATA PORTA C.T.
111	OD2184A	COPERCHIO INOX SERIE 905E-1005E
112	VM1195A	PIASTRINA COPRIFORI XVC204/304/50
113	OH6951A	LAMIERA PROTEZIONE CRUSCOTTO
114	VM2129A	CRUSCOTTO MECCANICO SERIE 1005
115	TM1001C	BUZZER ELETTRONICO 15s 120V
116	VE1556A	REGOLATORE ENERGIA 240V
117	TR1100A	TERMOSTATO REG. 269°C 55.19052.80
118	TM1005A	TIMER M12 60 MIN 250V 16A
119	MN1113A	MANOPOLA UMIDITA CHEFLUX BAKERLUX
120	OH1450A	ANGOLO FACCIATA MUFFOLA INOX XB-X
121	VM1008A	ANGOLARE INT. SUPPORTO GUARNIZION
122	VE1561A	PULSANTE BIPOLARE NA/NA
123	VM2036A	SUPPORTO TUBO SCARICO ACQUA
124	TB2298A	TUBO SCARICO ACQUA CARRELLATI Ø30
125	VM1014A	ANELLO FISSAGGIO FORNO A PAVIMENT
126	OH6420A	LAMIERA SUPPORTO PRESSACAPO
127	OE1319A	FONDO EST SERIE 905E-1005E
128	VM1160B	STAFFA INFERIORE PORTA CT BT
129	OH3710A	PARATIA PROTEGGI STAFFA INOX
130	OH5045A	ASM GUIDE CARRELLO SX SERIE 1000
131	OH5044A	ASM GUIDE CARRELLO DX SERIE 1000
132	PD1020A	LONGHERONE PIEDINI 2" REG H147-19
133	OF1454A	SCHIENA INFERIORE SERIE 1005E-400
134	GN1275A	GUARNIZIONE CAMINO SILICONE NERO
135	OH3790A	LAMIERA TENUTA CAMINO
136	VL1005A	VASCA SIFONE
137	OD2182A	FIANCO SX XVC1005/4005
138	OH6567A	LAMIERA SOSTEGNO SIFONE
139	GN1400A	GUARNIZIONE SIFONE
140	VL1026A	CURVA PER TUBO DI SCARICO

141	VM1810A	TAPPO TENUTA ACQUA DX
142	VM1505A	PASSAPARETE CON DIAFRAMMA
143	VN1162A	VENTOLA 230V BL CL
144	VM1555A	SUPPORTO VENTOLA RAFFREDDAMENTO C
145	VM1556A	PROTEZIONE VENTOLA RAFFREDDAMENTO
146	RC1004A	RACCORDO Y D10-D8-8
147	VL1062A	FORCELLA BLOCCA FILTRO-RIDUTTORE
148	OF1471A	SCHIENA SUPERIORE BIG MECC
149	RC1365A	RACCORDO JG FEMMINA 3/4"-10
150	VL1034A	FILTRO ACQUA Ø10 MESH100
151	MN1111A	MANOPOLA TERMOSTATO CHEFLUX BAKER
152	MN1112A	MANOPOLA TIMER CHEFLUX BAKERLUX
153	VE1535A	LED BIANCO 230V
154	VM1762A	SUPPORTO LAMPADA INTERNO
155	VM2009A	SUPPORTO ELLITTICO D16 ARGENTO
156	VE1530A	GEMMA ELLITTICA AZZURRA TERMOMETR
157	VE1585A	GEMMA ELLITTICA AZZURRA SINUSOIDE
158	VL1014A	RIDUTTORE DI PRESSIONE CON DISTRI
165	VE1115A	MINICONTATTORE QUADRIPOLE 20 A
166	VM1075A	CLIP DI FISSAGGIO PER TELERUTTORI
167	VE1110A	CONDENSATORE 6,3 µF 450VAC 50/60
168	OH6421A	LAMIERA SUPPORTO MORSETTIERA
169	VE1555A	INVERTITTORE DI MARCIA
170	OH1852A	BARRA OMEGA PORTA 6 TELERUTTORI P
171	VE1631A	TRASFORMATORE LPH-18-12
172	VE1345A	PRESSACAPO IP67 PG42
173	VE1350A	DADO PER PRESSACAPO PG42
174	OH6933A	LAMIERA FISSAGGIO TRASFORMATORE
175	TR1136A	TERMOSTATO SIC. UNIP. 330°C
176	OH6769A	LAMIERA FISSAGGIO CONNETTORI
177	MR1011A	MORSETTO DI TERRA UL 125A PER BAR

178	CE1420A	MORSETTIERA UNIPOLARE 8 VIE Z16-8
179	CE1770A	CAVO UNIPOLARE 16 MMQ L=280 TERMI
180	VE1632A	PORTAFUSIBILE SEZ. MONOPOLARE 10X
181	OH6903A	PROFILO PORTA COMPONENTI XV1093

# MOD:XV1093



EN

## Codes descriptions

1	VT1161A	SER. EXTERNAL GLASS 757X1467X5
2	VT1160A	SER. INTERNAL GLASS 730X1395X6
3	TB2335A	S.5E RIGHT DOOR COLUMN 1000/3200/
4	TB2336A	S.5E LEFT DOOR COLUMN 1000/3200/4
5	OH3170A	UPPER/LOWER DOOR LISTEL XVC1004/X
6	VM1620A	LED BAR LOWER SUPPORT
7	VM1621A	LED BAR UPPER SUPPORT
8	LP1004B	LEB LIGHTING BAR L1000
9	OH4952A	EXTERNAL GLASS HOLDING PROFILE
10	VM1815A	M6 LATERAL SUPPORTS FIXING BOLT
11	OH6445A	E SERIES BIG OVENS CAM PLATE
12	VM1175A	DOOR COLUMN BLANKING CAP
13	VM1170B	UPPER DOOR FULCRUM CAP
14	VM1171B	DOOR LOWER FULCRUM CAP
15	VM1591A	GLASS BRACKET INT. XVC1004
16	OH3428A	SERIES 1000-4000 UPPER LEFT DOOR
17	GN1348E	DOOR-TROLLEY SEALING E SERIES H14
18	OH6458A	XVC1005E/XBC1005 LOWER DOOR PROFI
19	VM1180B	HANDLE HAFT CT BT
20	VE1030A	MAGNET FOR DOOR MICROSWITCH D=22,
21	VT1264A	XV1093-4093 EXTERNAL BLACK GLASS
22	OH4450A	CLOSING PLATE BACK COVER
23	OH6720A	CONTROL BOARD EXTERNAL LATERAL SI
24	OH6900A	SERIES 1093 CONTROL BOARD PANEL
40	TB2538A	INNER HUMIDITY TUBE SERIES 1093 Ø
41	TB2540A	XV1093 INT. STRAIGHT WATER PIPE L
42	TB2537A	XV1093 INT. STRAIGHT WATER PIPE L
43	TB2536A	SERIE 1093 INTERNAL WATER PIPE L=
44	VM2123A	WATER PIPES UPPER DISTRIBUTOR
45	VM1820A	LATERAL SUPPORTS M6 FIXING BOLTS
46	TB2539A	SERIE 1093 INTERNAL WATER PIPE L=

47	OG1396A	B.T. C.T. FAN GUARD SPACER
48	VN1030A	MOTOR FAN D196 H81 39 BLADE NUT M
49	OG1533A	SERIE 1093 FAN GUARD
50	GN1085A	HEATING ELEMENT GASKET 141x24 G6.
51	RS1215A	147W 105V D230 1 TURN FLAT ELEMEN
52	RS1205A	5600W 230V D230 6 TURNS HEATING E
53	GN1392C	XVC1005-4005 DOOR GASKET - GN1006
54	OH2551A	XBC/XVC ST.STEEL DRAIN COVER
55	GN1326A	ELEMENT SEALING
56	EL1252A	ONE INLET WATER VALVE J.G.CONN.
57	TB1515A	EXTERNAL WATER PIPE + RC1165A0
58	RC1170A	STAINLESS STEEL NUT M14 H=8 CH=22
59	TB1873A	CONVEYOR FUME TUBE SERIES 1005 Ø3
60	OH4305A	ST. STEEL MOTOR SHAFT SEALING DIS
61	EL1361A	J.G. THREE-STAGE SOLENOID VALVE D
62	VN1130A	330W 230V 50/60HZ MOTOR
63	OH6740A	AISI-304 MOTOR PROTECTING PANEL
64	GN1140A	MOLDED MOTOR SUPPORT GASKET
65	VM1610A	CLIP TWIST LOCK DIAM. 7,6-10,2 MM
66	RC1310A	140x4 CLAMP WITH CLIP
67	OH6741A	AISI-304 WIRING SUPPORT BRACKET
100	OD2228A	XV1093 EXTERNAL RIGHT SIDE PANEL
101	OH3750A	INOX PLATE REINFORCEMENT SIDE XVC
102	VM1455A	SPRING LATCH COVER XVC-XBC1004
103	VM1190A	CT BT RIGHT DOOR SPRING LATCH
104	VM1192A	CT BT DOOR SPRING LATCH COVER
105	VE1295A	DOOR MICROSWITCH MK 16A 230V UL
106	VM1200A	DOOR MECHANIC MICROSWITCH SUPPORT
107	OH3280A	XVC1004 XBC1004 SPRING LATCH HOLD
108	VM1166A	CAP FOR DOOR UPPER STIRRUP XVC204
109	VM1165B	CT BT DOOR UPPER BRACHET

110	OH2560A	XBC/XVC ZINC PLAT. DOOR COUNTERBR
111	OD2184A	905E-1005E SERIES COVER
112	VM1195A	HOLES BLANKING PLATE XVC204/304/5
113	OH6951A	CONTROL PANEL PROTECTING ST. STEE
114	VM2129A	SERIES 1005 MANUAL CONTROL BOARD
115	TM1001C	ELECTRONIC BUZZER 15 SEC 120V
116	VE1556A	THERMAL SWITCH 240V
117	TR1100A	269°C ADJUSTABLE THERMOSTAT 55.19
118	TM1005A	TIMER MI2 60 MIN 250V 16A
119	MN1113A	CHEFLUX BAKERLUX HUMIDITY CONTROL
120	OH1450A	XB-XV-XG ST. STEEL MUFFLE FRONT C
121	VM1008A	GASKET SUPPORT INTERNAL CORNER
122	VE1561A	BIPOLAR SWITCH NA/NA
123	VM2036A	DRAIN WATER PIPE SUPPORT
124	TB2298A	TROLLEY OVENS WATER DRAIN PIPE Ø3
125	VM1014A	RING MOUNTING OVEN TO THE FLOOR
126	OH6420A	STAINLESS STEEL WIRE CLAMP SUPPOR
127	OE1319A	905E-1005E EXTERNAL BOTTOM PANEL
128	VM1160B	CT BT DOOR LOWER BRACKET
129	OH3710A	STAINLESS STEEL BULKHEAD GUARD BR
130	OH5045A	1000 SERIES LEFT TROLLEY GUIDES
131	OH5044A	1000 SERIES RIGHT TROLLEY GUIDES
132	PD1020A	BRACKET FOR 2" ADJUSTABLE FEET H
133	OF1454A	1005E-4005E SERIES BACK LOWER PLA
134	GN1275A	XBC/XVC BLACK CHIMNEY SEALING
135	OH3790A	CHIMNEY HOLDING PLATE
136	VL1005A	U-TRAP TANK
137	OD2182A	XVC1005/4005 LEFT SIDE EXTERNAL P
138	OH6567A	U-TRAP HOLDING PANEL
139	GN1400A	U-TRAP SEAL
140	VL1026A	BEND FOR DRAIN PIPE

141	VM1810A	WATER RIGHT CAP SEAL
142	VM1505A	WALL PASSING WITH DIAPHRAGM
143	VN1162A	CHEFLUX-BAKERLUX FAN 230V
144	VM1555A	CT BT COOLING DOWN FAN SUPPORT
145	VM1556A	XBC-XVC COOLING FAN GUARD
146	RC1004A	Y CONNECTION D10-D8-8
147	VL1062A	PRESSURE REDUCER-FILTER LOCKING F
148	OF1471A	XV1093 EXTERNAL BACK PANEL
149	RC1365A	3/4"-10 JG FEMALE CONNECTION
150	VL1034A	Ø10 MESH100 WATER FILTER
151	MN1111A	CHEFLUX BAKERLUX THERMOSTAT KNOB
152	MN1112A	CHEFLUX BAKERLUX TIMER KNOB
153	VE1535A	WHITE LED 230V
154	VM1762A	INNER LAMP SUPPORT
155	VM2009A	ELLIPTICAL SILVER SUPPORT D16
156	VE1530A	BLUE LIGHT COVER GOLD THERMOMETER
157	VE1585A	BLUE LIGHT COVER GOLD SINUSOID
158	VL1014A	PRESSURE REDUCER WITH DISTRIBUTOR
165	VE1115A	MINICONTACTOR WITH 4 POLES 20 A 2
166	VM1075A	PLASTIC CLIP TO FIX CONTACTORS
167	VE1110A	CONDENSER 6,3 µF 450VAC 50/60Hz
168	OH6421A	TERMINAL BOARD HOLDING PLATE
169	VE1555A	REVERS.SWITCH MOTOR P19.5J.02.H6.
170	OH1852A	OMEGA BAR 6 CONTACTORS HOLDER PRO
171	VE1631A	LPH-18-12 TRANSFORMER
172	VE1345A	IP67 PG42 WIRE CLAMP
173	VE1350A	NUT FOR WIRE CLAMP
174	OH6933A	TRANSFORMER FIXING PLATE
175	TR1136A	SAFETY THERMOSTAT UNIP. 330°C
176	OH6769A	CONNECTORS FIXING PANEL
177	MR1011A	UL 125A GROUND TERMINAL

178	CE1420A	8 WAYS UNIPOLAR TERMINAL BOARD Z1
179	CE1770A	UNIPOLAR CABLE 16 MMQ L=280
180	VE1632A	MONPOLARE FUSE SUPPORTER 10X38 32
181	OH6903A	PROFILO PORTA COMPONENTI XV1093